



PARTS MANUAL

5000VE
Bale Claw

K34995-01

Table of Contents

Section 1:	
Parts Breakdown	1
Final Assembly	2
Decal Locations	4
Initial Assembly	5
Index	Index-i

Table of Contents

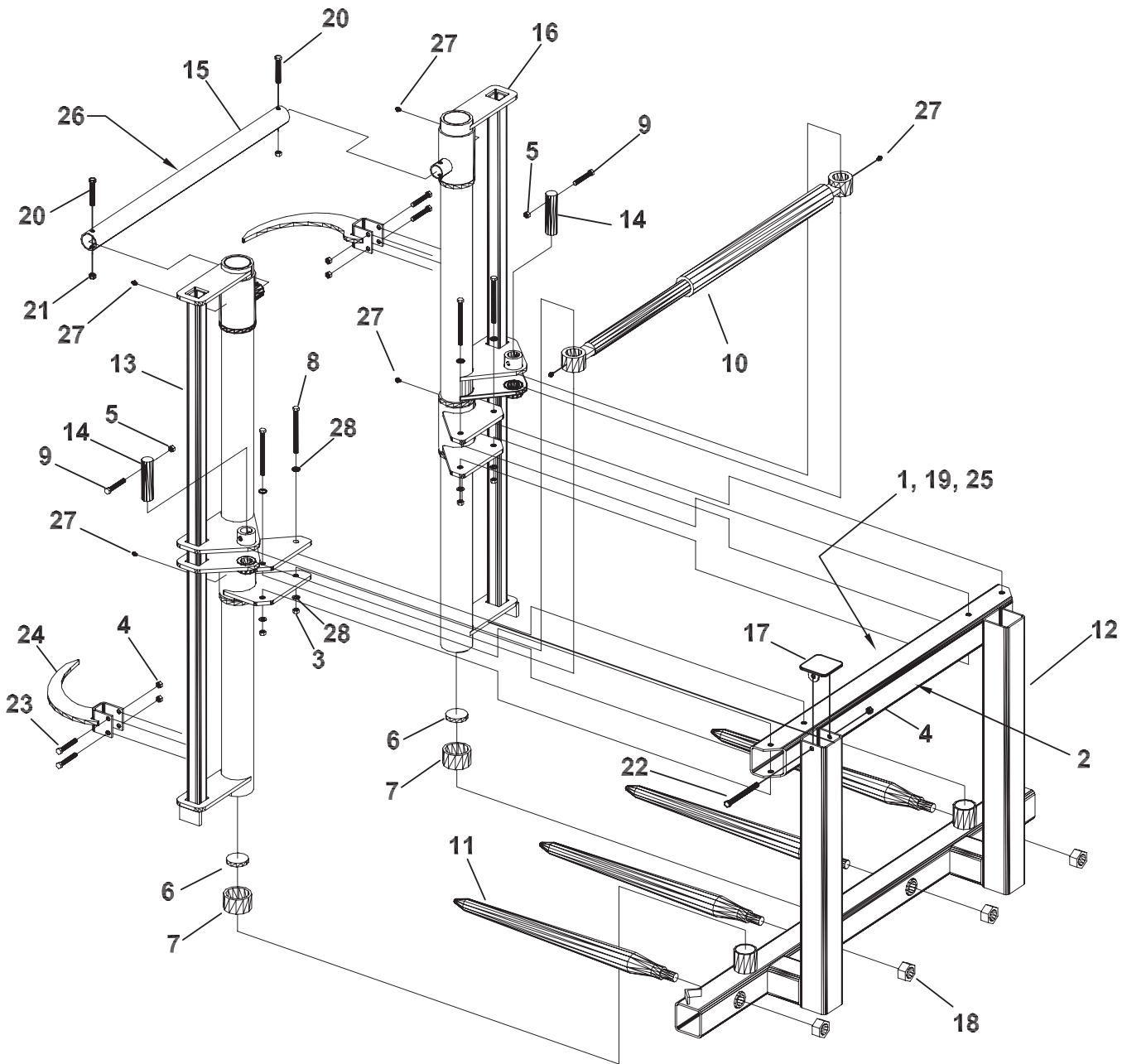
Notes

Section 1: Parts Breakdown

Section Contents

Final Assembly	2
Decal Locations	4
Initial Assembly	5

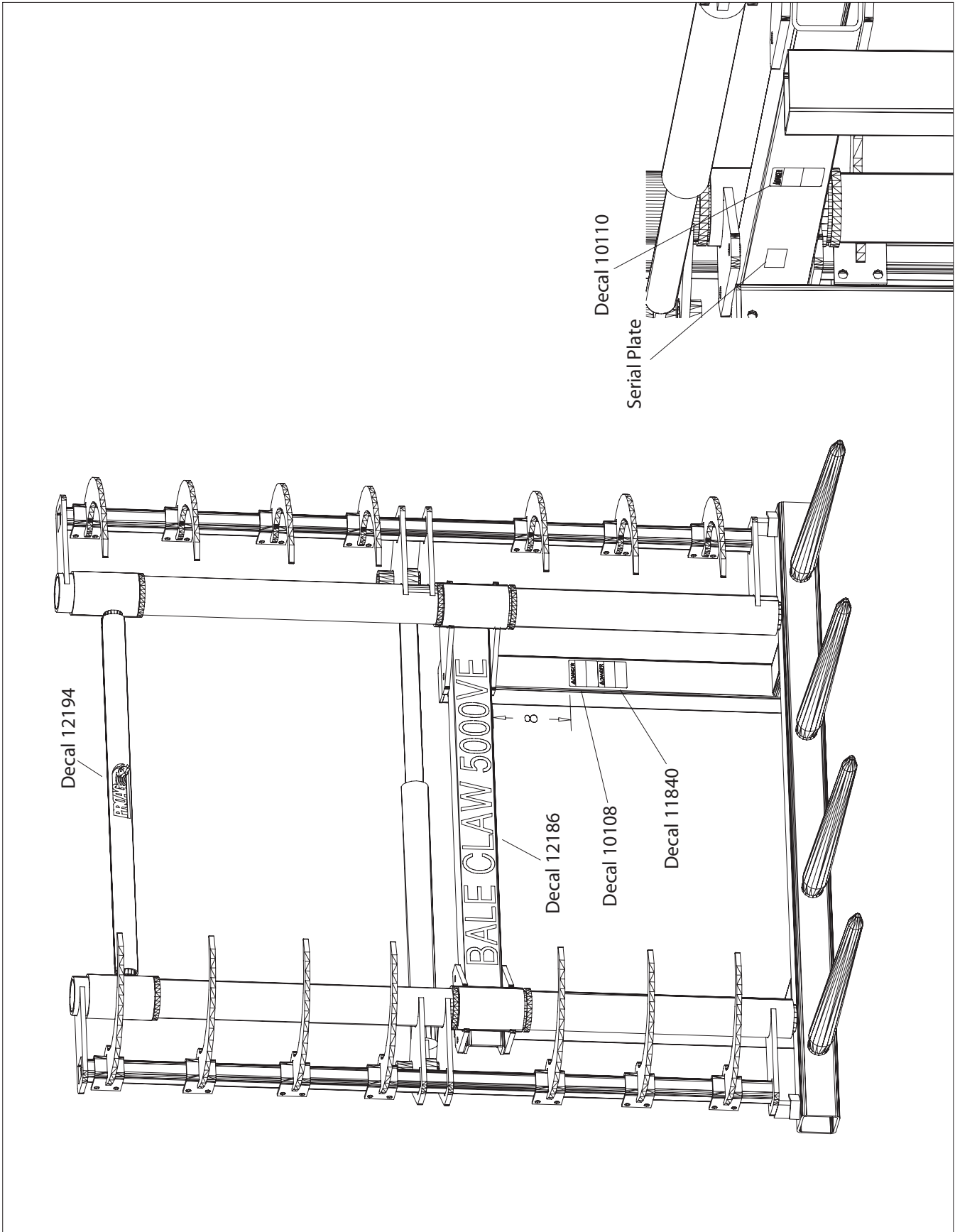
5000VE Bale Claw Final Assembly



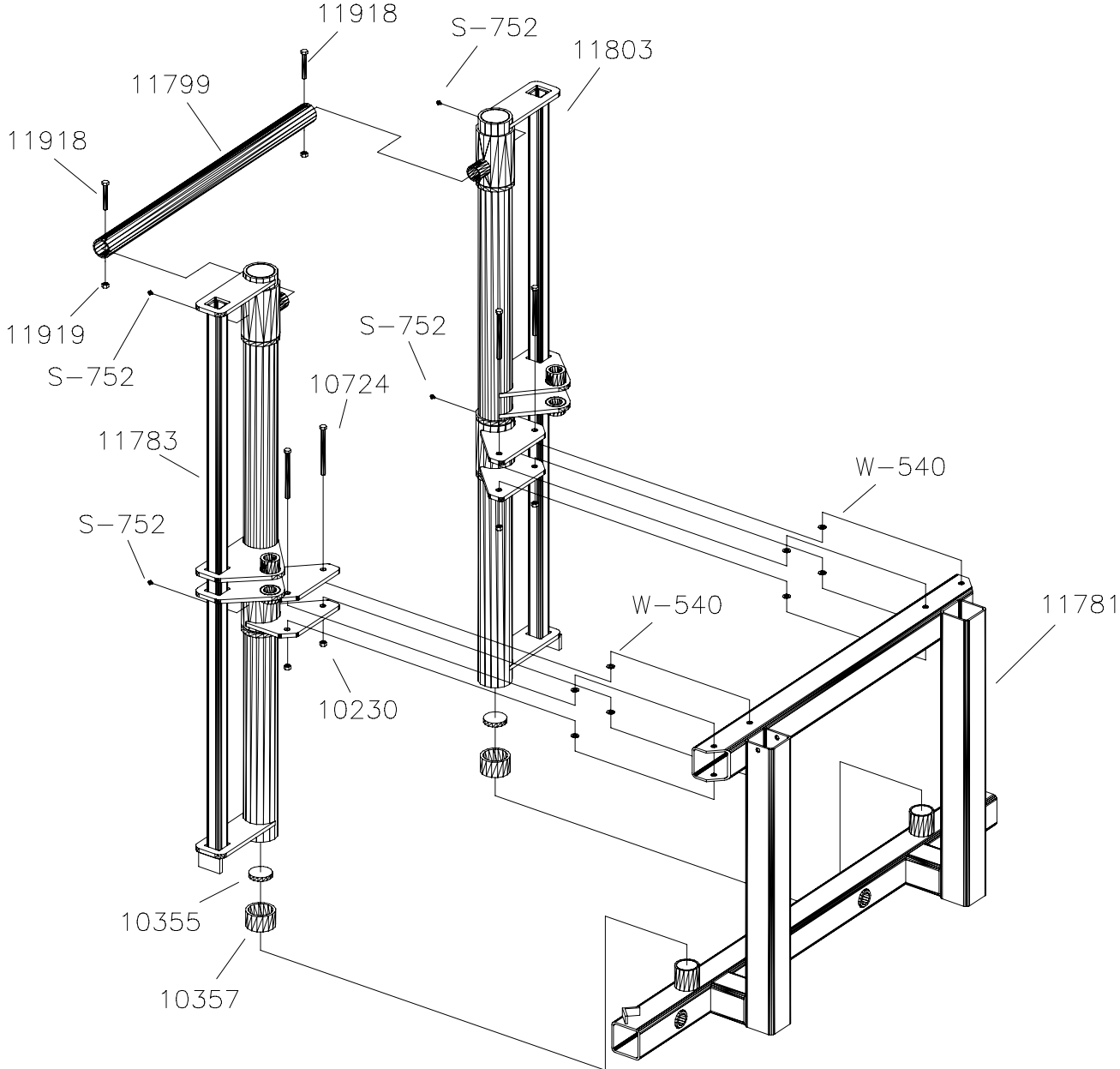
5000VE Bale Claw - Final Assembly

Item	Part No.	Description	Qty
1	10108	Decal - Danger "Pinch Injury"	1
2	10110	Decal - Danger "Falling Bale"	1
3	10230	Nut - 5/8 Nylock	4
4	10232	Nut - 1/2 Nylock	29
5	10302	Nut - 7/16 Nylock	2
6	10355	Grab Hook Thrust Bearing	2
7	10357	Grab Hook Bushing	2
8	10724	Hex Bolt - 5/8 x 6 1/2 Gr 8	4
9	10847	Hex Bolt - 7/16 x 3 Gr8	2
10	11674	Cylinder - 2 1/2 x 20	1
		PMCK-BC-0790 - Seal Kit	
11	11721	Stinger Spike - 27	4
12	11781	Frame	1
13	11783	Claw Frame - Left	1
14	11798	Pin - 1.437 x 5.5	2
15	11799	Pipe - 2 x 40.5	1
16	11803	Claw Frame - Right	1
17	11804	Top Spike Holder Plug	1
18	11807	Nut for 1.375 x 27 Spike	4
19	11840	Decal - Danger "Impalement"	1
20	11918	Hex Bolt - 9/16 x 3 1/2 Gr 8	2
21	11919	Nut - 9/16 Nylock	2
22	11920	Hex Bolt - 1/2 x 5 Gr 8	1
23	12118	Hex Bolt - 1/2 x 3 1/2 Gr 8	28
24	12133	Adjustable Claw	14
25	12186	Decal - Bale Claw 5000VE	1
26	12194	Decal - PROAG	1
27	S-752	Grease Fitting - 1/4 Straight	6
28	W-540	Flatwasher - 0.688 ID x 1.75 OD x 0.134	8

5000VE Bale Claw Decal Locations



5000VE Bale Claw Initial Assembly



Index

10108 3
10110 3
10230 3
10232 3
10302 3
10355 3
10357 3
10724 3
10847 3
11674 3
11721 3
11781 3
11783 3
11798 3
11799 3
11803 3
11804 3
11807 3
11840 3
11918 3
11919 3
11920 3
12118 3
12133 3
12186 3
12194 3

P

PMCK-BC-0790 3

S

S-752 3

W

W-540 3



Product of Morris Industries

Morris Industries (USA) Inc.
P.O. Box 1117
Minot, ND 58702-1117
Phone: 866-663-8515
Fax: 866-663-8535
Web www.morris-industries.com/proag

It is the policy of ProAG to improve its products whenever it is possible to do so. ProAG reserves the right to make changes or add improvements at any time without incurring any obligation to make such changes on machines sold previously.