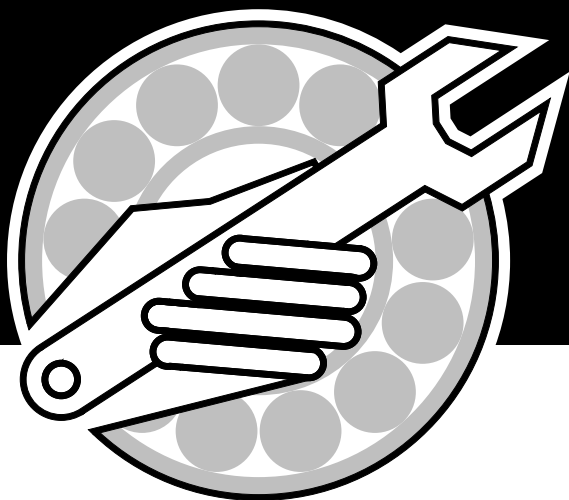


PROAG
Morris

Parts Manual



Bale TITAN RXR

Part Number K68501-01

IMPORTANT:

ALL ITEMS ARE IDENTIFIED WITH A PART NUMBER. Some of the smaller parts such as bolts, nuts, washers, etc. are not all shown, however, the quantity used are listed in the text for that section which they fit into. That particular quantity is always the quantity required for one complete assembly.

Smaller parts, which are welded together to construct a larger part, are not to be ordered as individual pieces, unless they have a part number to identify them.

Contact your nearest dealer for genuine repair parts. Dealers carry ample stock and are backed by the manufacturer and regional associations.

PROAG PAINT

Spray Cans:

Part Number	Description
N53713	1K Red MORRIS Touch-Up Pen 12 ml
N53715	1K Red MORRIS Aerosol Can 400 ml
K65885	White CF-546 Titan Aerosol Can 360 ml

MANUALS

Part Number	Description
K68500	Operator's Manual

Table of Contents

Section 1:

Parts Breakdown 1-1

- Hitch 1-2
- Frame Assembly - Stage 1 1-4
- Frame Assembly - Stage 2 1-6
- Frame Assembly - Stage 3 1-8
- Bed Assembly - Stage 1 1-10
- Bed Assembly - Stage 2 1-12
- Bed Assembly - Stage 3 1-14
- Light Bracket Assembly - Front 1-16
- Light Bracket Assembly - Back 1-17
- Loader Assembly - Stage 1 1-18
- Loader Assembly - Stage 2 1-20
- Loader Assembly - Stage 3 1-22
- Hydraulic Assembly 1-24
- Hydac Valve - K62786 1-28
- Rolling Rack Valve - K68300 1-29
- Pilot Check Valve - K68627 1-30
- Counter Balance Valve - K65822 1-31
- Cylinder Specification Sheet 1-32
- Electrical Control Assembly 1-34
- Greaser Kit - K68310 1-36
- Greaser - Primary Valve Detail 1-38
- Non Brake Hub Assembly 1-39
- Brake Hub Assembly 1-40
- Slack Adjustment Assembly 1-41
- Suspension Assembly 1-42
- Hydraulic Brake Assembly 1-44
- Weight Kit 1-46

Index i

Table of Contents

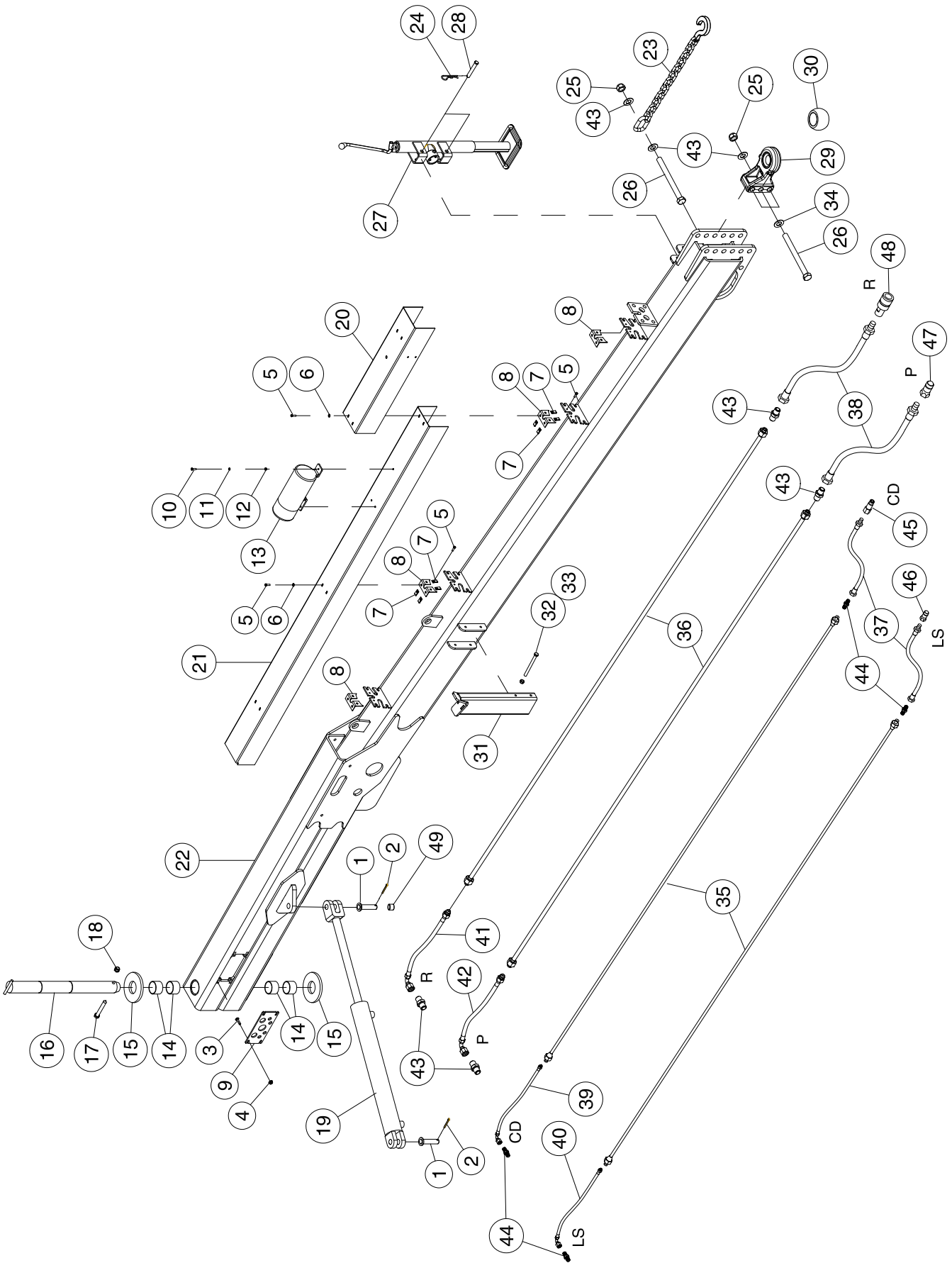
Notes

Section 1: Parts Breakdown

Section Contents

Hitch	1-2
Frame Assembly - Stage 1	1-4
Frame Assembly - Stage 2	1-6
Frame Assembly - Stage 3	1-8
Bed Assembly - Stage 1	1-10
Bed Assembly - Stage 2.....	1-12
Bed Assembly - Stage 3.....	1-14
Light Bracket Assembly - Front.....	1-16
Light Bracket Assembly - Back.....	1-17
Loader Assembly - Stage 1	1-18
Loader Assembly - Stage 2	1-20
Loader Assembly - Stage 3	1-22
Hydraulic Assembly	1-24
Hydac Valve - K62786	1-28
Rolling Rack Valve - K68300	1-29
Pilot Check Valve - K68627	1-30
Counter Balance Valve - K65822.....	1-31
Cylinder Specification Sheet	1-32
Electrical Control Assembly	1-34
Greaser Kit - K68310.....	1-36
Greaser - Primary Valve Detail	1-38
Non Brake Hub Assembly	1-39
Brake Hub Assembly	1-40
Slack Adjustment Assembly	1-41
Suspension Assembly	1-42
Hydraulic Brake Assembly.....	1-44
Weight Kit	1-46

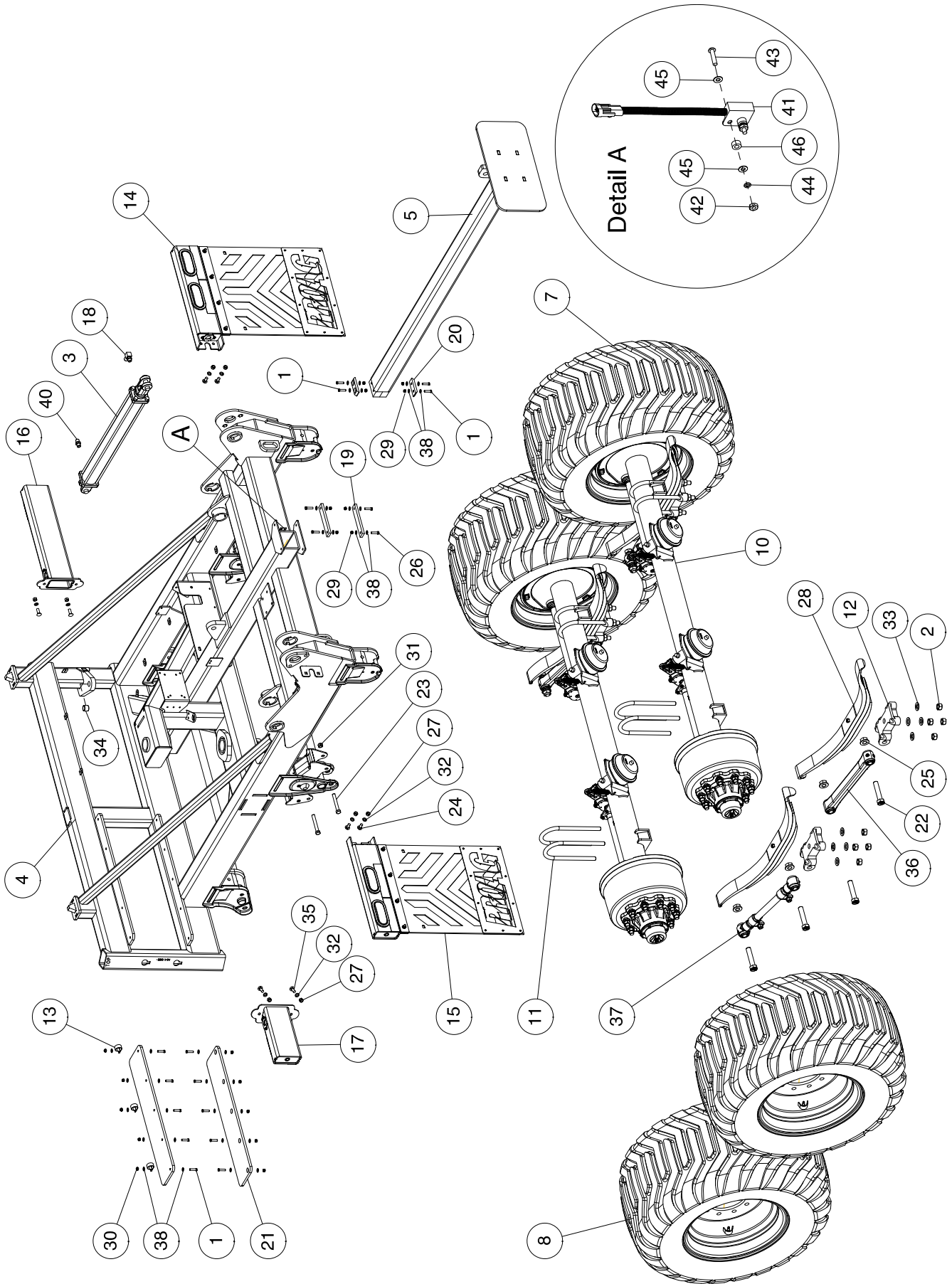
Hitch



Hitch

Item	Part No.	Description	Qty
1	C-1429	Cylinder Pin - 1 x 3 3/8 ULg	2
2	W-535	Cotter Pin - 1/4 x 1 1/2	2
3	D-5261	Carriage Head Bolt - 3/8 x 1 1/2 Lg	4
4	D-5279	Lock Nut - 3/8 Flange.....	3
5	W-1552	Hex Bolt - 1/4 x 1 Lg.....	16
6	N40748	Flatwasher - 1/4	8
7	K67799	J-Nut - 1/4	16
8	K62134	Bracket - Line Locking.....	4
9	K62138	Plate - Hydraulic Input.....	1
10	F-1767	Hex Bolt - 5/16 x 3/4 Lg.....	3
11	W-513	Hex Nut - 5/16.....	3
12	W-522	Lockwasher - 5/16.....	3
13	K67870	Holder - Manual	1
14	K67053	Bushing - 2.750 OD X 2.500 ID X 1.75 Lg.....	4
15	10352	Washer - Hitch Pivot - 2 1/2 ID x 6 OD x 1/2 Thick.....	2
16	K62870	Pin - Hitch Pivot.....	1
17	K25798	Hex Bolt - 1/2 x 4 Lg	1
18	F-3405	Locknut - 1/2 Unitorque.....	1
19	10449	Hitch Cylinder.....	1
20	K62124	Front Cover	1
21	K62128	Rear Cover	1
22	K62140	Hitch	1
23	C18761	Safety Chain - 40,000 Lb	1
24	W-131	Hairpin - #9	2
25	D-5274	Locknut - 1 Unitorque	4
26	S39487	Bolt - 1 x 8 Lg GR 8.....	4
27	H59985	Top Wind Jack - 7000 Lb.....	1
28	H10462	Pin - 0.621 Dia x 3 5/8 UL.....	2
29	S66236	Clevis - CAT 4 (1 1/2 Pin Diameter Draw Pin) (Includes item 30) - Standard.....	1
29A	K62145	Clevis - CAT 4 (2 Pin Diameter Draw Pin) (Includes item 30A) - Optional	
30	S65740	Clevis Insert - CAT 4 - (1 1/2 Diameter Draw Pin)	
30A	S67388	Clevis Insert - CAT 4 - (2 Diameter Draw Pin)	
31	K67894	Loader Rest	1
32	N19678	Bolt - 3/8 x 7 Lg	2
33	M-3388	Locknut - 3/8 Unitorque.....	2
34	D-5498	Washer - 1-1/16 ID x 2 OD x 11 Ga.....	8
35	K62753	Oil Line - 1/2 x 128 Lg - 3/4-16 (#08) FJIC ends	2
36	K62754	Oil Line - 1 x 129 Lg -1 5/16-12 (#16) FJIC ends	2
37	K62920	Hyd Hose - 1/2 x 60 Lg - 3/4-16 (#08) FJIC x 3/4-16 (#08) MORB.....	2
38	K62921	Hyd Hose - 3/4 x 60 Lg - 1 5/16-12 (#16) FJIC x 1 1/16-12 (#12) MORB	2
39	K62902	Hyd Hose - 1/2 x 72 Lg - 3/4-16 (#08) MJIC x 3/4-16 (#08) FJIC 45 Deg	1
40	K69185	Hyd Hose - 1/2 x 66 1/2 Lg - 3/4-16 (#08) MJIC x 3/4-16 (#08) FJIC 45 Deg	1
41	K62908	Hyd Hose - 3/4 x 70 1/2 Lg - 1 5/16-12 (#16) MJIC x 1 5/16-12 (#16) FJIC 45 Deg	1
42	K69187	Hyd Hose - 3/4 x 67 Lg - 1 5/16-12 (#16) MJIC x 1 5/16-12 (#16) FJIC 45 Deg.....	1
43	K62131	Bulk Head Union - 1 5/16-12 (#16) MJIC	2
44	K62123	Bulk Head Union - 3/4-16 (#08) MJIC	2
45	K50834	3/8 Flat Face Tip - 3/4-16 FORB	1
46	N34443	1/2 Male Pioneer Tip - 3/4-16 FORB	1
47	N37914	3/4 Male Tip - 1 1/16-12 FORB.....	2
48	N37915	3/4 Female Coupler - 1 1/16-12 FORB.....	2
49	K24004	Bushing - Spring Tension - 1 ID x 1 1/4 OD x 1 Lg.....	1
		See Hydraulic Brake Assembly for following items: (if equipped with brakes)	
	K62753	Oil Line - 1/2 x 128 Lg - 3/4-16 (#08) FJIC ends.....	1
	K69086	Hyd Hose - 3/8 x 72 Lg w/ M18 x 1.5 Male DIN x 9/16-18 FJIC	1
	K69186	Hyd Hose - 1/2 x 68 1/2 Lg - 3/4-16 (#08) MJIC x 3/4-16 (#08) FJIC 45 Deg	1
	K62123	Bulk Head Union - 3/4-16 (#08) MJIC.....	2
	K50954	Brake Coupler - Female - 08 (1/2 inch) M18 x 1.5 Thread	1
	K51052	Bonded Seal - 18mm Male DIN (9500-18mm).....	1

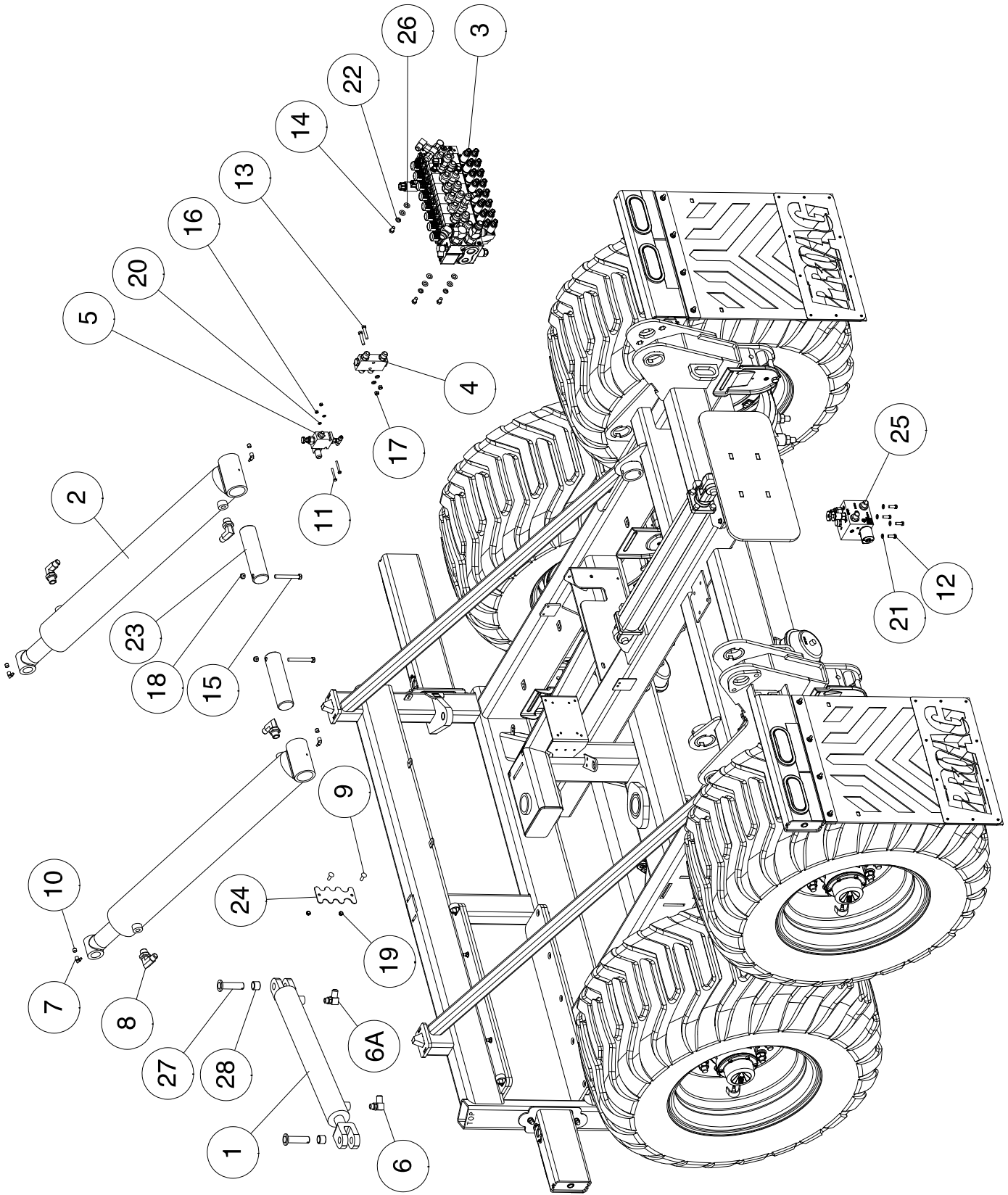
Frame Assembly - Stage 1



Frame Assembly - Stage 1

Item	Part No.	Description	Qty
1	10075	Hex Socket Cap Screw - 3/8 x 1 1/2 Lg	14
2	12013	Hex Nut - 7/8-14 UNF	16
3	12168	Hydraulic Cylinder - 3 x 14 Stroke	1
4	K62150	Main Frame Weldment	1
5	K62441	Push Out	1
6	K62870	Pin - Hitch Pivot	1
7	K65090	Tire/Rim Assembly - Left	2
8	K65091	Tire/Rim Assembly - Right.....	2
9	K65695	Pin - Bed Pin - 2 1/2 Dia x 6 1/4 UL	2
10	K68298	Axle - Braking.....	2
	K68297	Axle - Non Braking - Not Shown	
11	K68389	U-Bolt - 7/8-14 UNF x 5 x 12 3/4 UL	8
12	K68394	Plate - Bottom Axle Attachement.....	4
13	K68405	Bracket - Wiring Harness	3
14	K69164	Light Bracekt Assembly - Right Rear	1
15	K69165	Light Bracket Assembly - Left Rear	1
16	K69166	Light Bracket Assembly - Right Front	1
17	K69167	Light Bracket Assembly - Left Front.....	1
18	C24585	90 Elbow - 7/8-14 MJIC x 3/4-16 MORB.....	1
19	11469	Push Off Tube Plastic.....	2
20	11470	Push Off Plastic.....	2
21	K62925	Plastic Slide - Bottom	2
22	K68403	Hex Bolt - 1 x 5.00 Lg.....	8
23	K68412	Hex Bolt - 5/8-18 UNF x 4.50 Lg	4
24	T-5266	Carriage Bolt - 1/2 x 1 1/4 Lg	4
25	K68404	Locknut - 1 Flange	8
26	W-477	Hex Bolt - 3/8 x 1 1/2 Lg.....	4
27	W-516	Hex Nut - 1/2	8
28	K68400	Leaf Spring Pack.....	4
29	10229	Locknut - 3/8 Nylon Insert.....	8
30	M-3388	Locknut - 3/8 Uunitorque.....	10
31	K-5703	Locknut - 5/8 Uunitorque.....	4
32	W-525	Lockwasher - 1/2.....	8
33	12011	Washer - 15/16 ID x 1 3/4 OD	16
34	K24004	Bushing - Spring Tension - 1 ID x 1 1/4 OD x 1 Lg.....	1
35	H-4584	Carriage Bolt - 1/2 x 1 1/2	4
36	K68401	Torque Arm - Non Adjustable.....	2
37	K68402	Torque Arm - Adjustable	2
38	D-5489	Washer - 13/32 ID x 13/16 OD x 16 Ga.....	36
39	C-1429	Pin - 1 x 3 3/8 UL	2
40	C14840	Connector - 7/8-14 MJIC (#10) x 3/4-16 MORB (#08)	1
41	11505	Sensor Assembly	1
42	11570	Hex Nut #12 - Brass	2
43	11571	Machine Screw #12 - 24 x 1 Lg - Brass.....	2
44	11572	Lockwasher #12 - 0.216 ID - Brass.....	2
45	11573	Flat Washer #12 - 0.25 ID x 0.562 OD - Brass.....	4
46	11575	Nylon Spacer - 1/4 ID x 1/2 OD x 1/4Lg	2

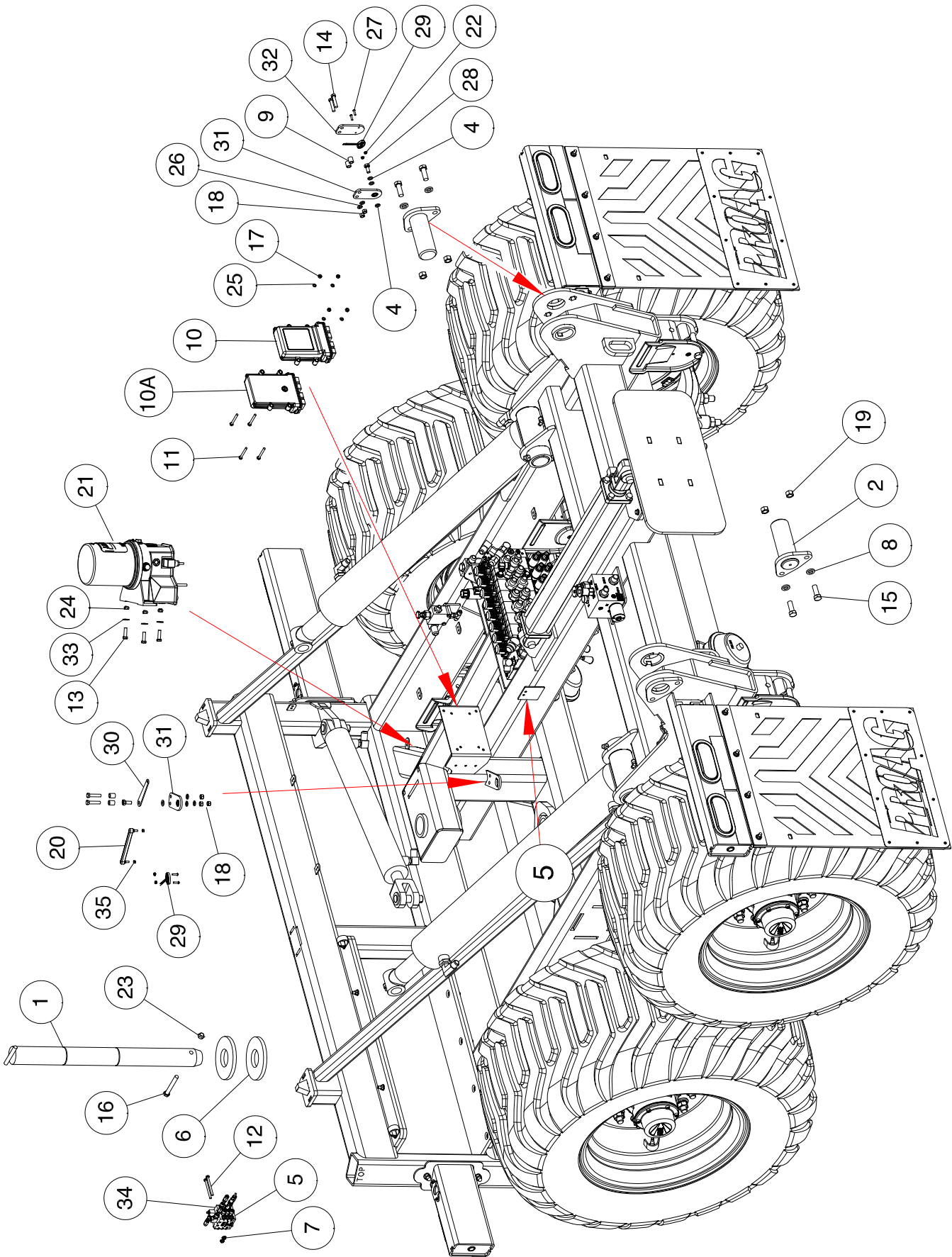
Frame Assembly - Stage 2



Frame Assembly - Stage 2

Item	Part No.	Description	Qty
1	10449	Hitch Cylinder - 3 1/2 x 18 x 1 3/4 Dia shaft - 08 ORB	1
2	10436	Bed Cylinder - 5 x 36 x 2 1/2 Dia shaft - 12 ORB.....	2
3	K62786	Valve Block - Main Hydraulic.....	1
4	K68627	Valve Block - Dual Direction Pilot Check.....	1
5	S42307	Pressure Reducing Valve - Hydraulic Brakes.....	1
6	10180	90 Elbow - 3/4-16 (#08) MJIC x 3/4-16 (#08) MORB	1
6A	C24585	90 Elbow - 7/8-14 (#10) MJIC x 3/4-16 (#08) MORB	1
7	K68637	Lincoln - 90 Degree Swivel W/ 1/4-28 Thread.....	4
8	N34644	90 Elbow - 3/4-16 (#08) MJIC x 1 1/16-12 (#12) MORB	4
9	D-5260	Carriage Bolt - 3/8 x 1 1/4 Lg.....	2
10	K68641	Dust Boot	4
11	W-1540	Hex Bolt - 1/4 x 2 Lg.....	2
12	W-475	Hex Bolt - 3/8 x 1 Lg.....	4
13	W-478	Hex Bolt - 3/8 x 2 Lg.....	2
14	K69334	Hex Bolt - 7/16-20 UNF x 1 Lg	3
15	K25798	Hex Bolt - 1/2 x 4 Lg.....	2
16	W-512	Hex Nut - 1/4.....	2
17	W-514	Hex Nut - 3/8.....	2
18	F-3405	Locknut - 1/2 Unitorque.....	3
19	M-3388	Locknut - 3/8 Unitorque.....	12
20	W-521	Lockwasher - 1/4.....	2
21	W-523	Lockwasher - 3/8.....	6
22	W-524	Lockwasher - 7/16.....	3
23	K62869	Pin - 2 1/2 Dia x 9 3/8 Lg	2
24	K64045	Bracket - Hose Holder.....	1
25	K68300	Valve Block - Counter Balance - Rolling Rack.....	1
26	S-1201	Washer - 15/32 ID x 59/64 OD x 16 Ga.....	7
27	C-1429	Pin - 1 x 3 3/8 UL	2
28	K24004	Bushing - Spring Tension - 1 ID x 1 1/4 OD x 1 Lg (Located in hitch and frame lug)	2

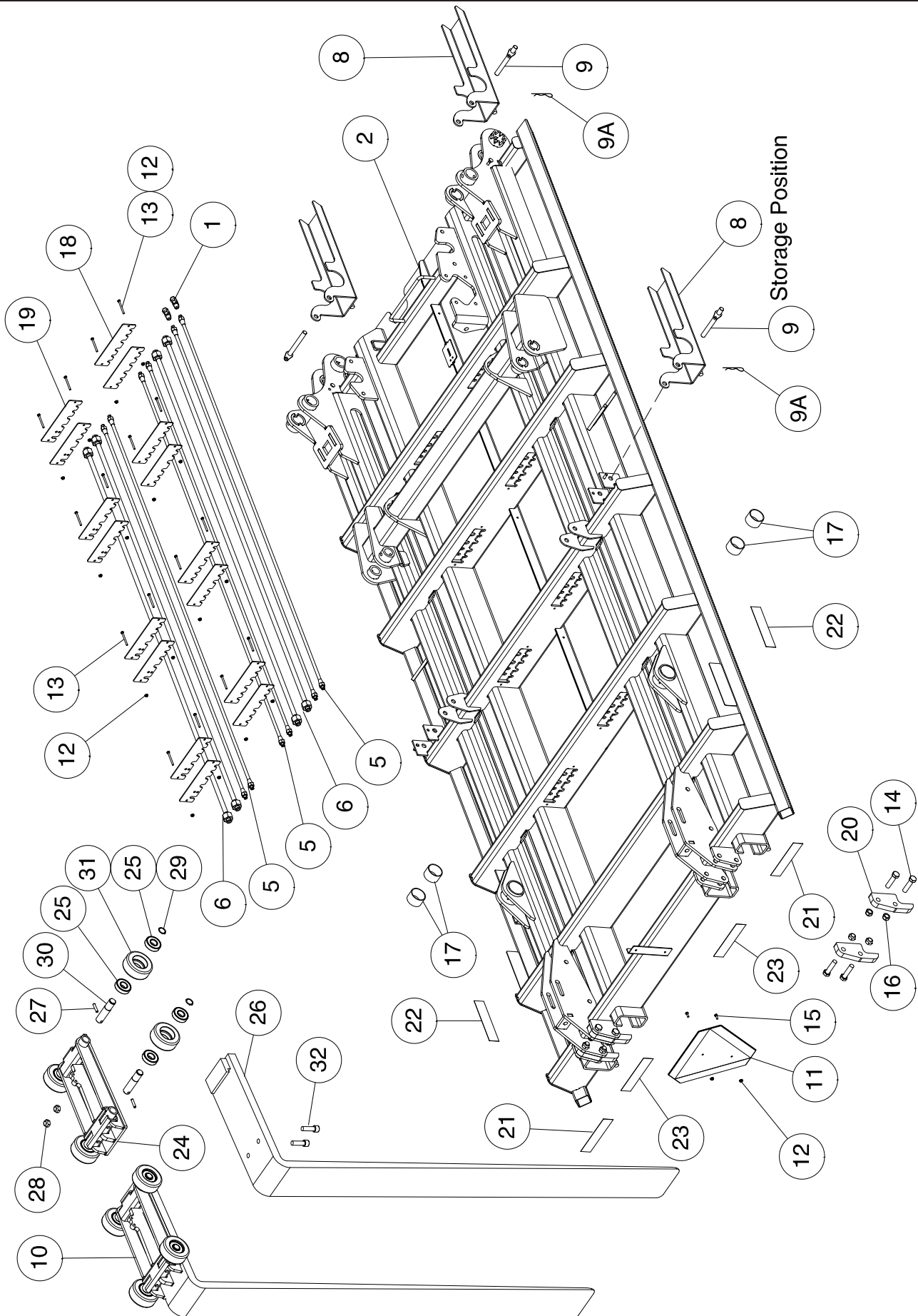
Frame Assembly - Stage 3



Frame Assembly - Stage 3

Item	Part No.	Description	Qty
1	K62870	Pin - Hitch Pivot	1
2	K65695	Pin - Bed Pin - 2 1/2 Dia x 6 1/4 UL	2
3	K67616	Bearing - 3/8 ID x 7/8 OD x 9/32 thick	2
4	W-542	Flatwasher - 13/32 ID x 11/16 OD x 12 Ga.....	3
5	K67941	Lincoln Quick Lube - 6 Port Divider Block (619-27121)	1
6	10352	Washer - Hitch Pivot - 2 1/2 ID x 6 OD x 1/2 Thick.....	2
7	D-5277	Locknut - 1/4 Flange	2
8	W-793	Flatwasher - 5/8 ID x 1 1/8 OD x 3/16.....	4
9	N32079	Bushing - 0.385 ID x 5/8 OD x 3/4 Lg	4
10	K69670	Falcon Controller - Master.....	1
10A	K69671	Falcon Controller - Slave	1
11	S45280	Hex Bolt - 1/4 x 2 1/4 Lg.....	4
12	H-4696	Hex Bolt - 1/4 x 3 1/4 Lg.....	2
13	W-187	Hex Bolt - 3/8 x 1 1/4 Lg.....	3
14	W-619	Hex Bolt - 3/8 x 1 3/4 Lg.....	4
15	W-498	Hex Bolt - 5/8 x 1 3/4 Lg.....	4
16	K25798	Hex Bolt - 1/2 x 4 Lg.....	3
17	W-512	Hex Nut - 1/4.....	6
18	W-514	Hex Nut - 3/8.....	7
19	W-517	Hex Nut - 5/8.....	4
20	K62760	Linkage - Dual Ball End - 152mm Center to Center	1
21	K67054	Lincoln Pump	1
22	N16304	Locknut #8-32 UNC	4
23	F-3405	Locknut - 1/2 Uunitorque.....	4
24	M-3388	Locknut - 3/8 Uunitorque.....	15
25	W-521	Lockwasher - 1/4.....	6
26	W-523	Lockwasher - 3/8.....	11
27	K69333	Machine Screw #8-32 UNC x 3/4 Lg.....	4
28	K67331	Hex Bolt - 3/8 x 1 Lg - Stainless with Magnetic Head	2
29	K67298	Sensor - Angular Position.....	2
30	K65184	Sensor Arm - 4 Center to Center.....	1
31	K67619	Sensor Bolt Bracket (Does Not include K67616 Bearing)	2
32	K68646	Sensor Mount.....	1
33	S-1199	Flatwasher - 3/8 ID x 7/8 OD x 14 Ga.....	3
34	K67725	Primary Valve - Lincoln Quick Lube - 6 Port Divider W/ Check (619-27122-1).....	1
35	K69668	Locknut - M6-1.0 Nylon Insert	2

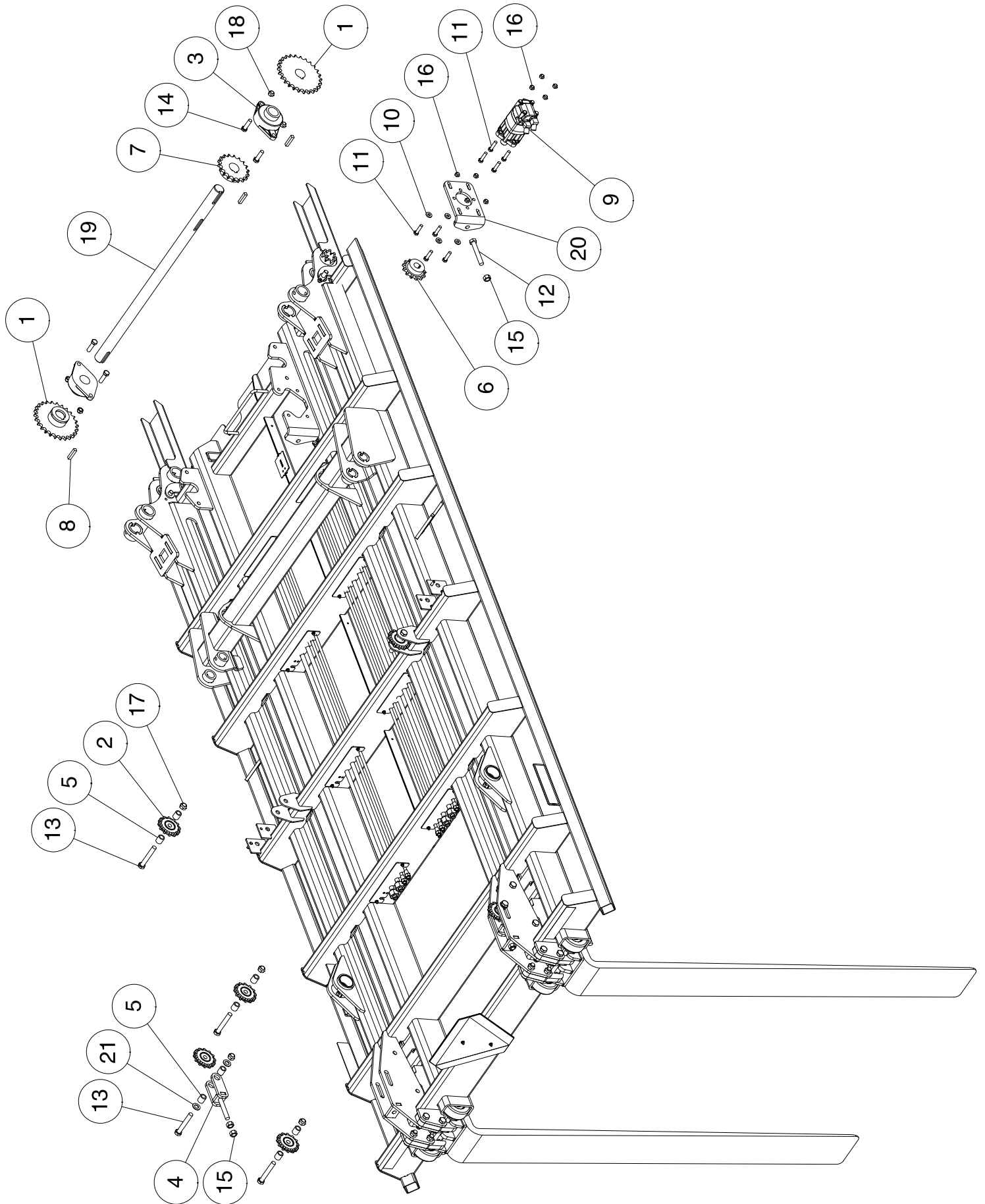
Bed Assembly - Stage 1



Bed Assembly - Stage 1

Item	Part No.	Description	Qty
1	11358	90 Elbow - 3/4-16 (#08) MJIC x 3/4-16 (#08) FJIC	2
2	K62100	Bed Weldment.....	1
3	K62175	Pin - Left Loader Pivot.....	1
4	K62652	Chain Tensioner.....	2
5	K62751	Oil Line - 1/2 x 84 Lg - 3/4-16 (#08) FJIC ends	6
6	K62752	Oil Line - 3/4 x 84 Lg - 1 1/16-12 (#12) FJIC ends.....	4
7	K62910	Pin - Right Loader Pivot.....	1
8	K67600	Bed Extension.....	2
9	K67610	Extension Pin - 3/4 Dia x 6 1/2 UL.....	2
9A	D17315	Hair Pin - #7	2
10	K68960	Rolling Rack Cart Assembly - See below for details	2
11	N34475	SMV Sign.....	1
12	D-5277	Lock Nut - 1/4 Flange.....	18
13	N32237	Hex Bolt - 1/4 x 2 3/4 Lg.....	16
14	W-63	Hex Bolt - 3/4 x 3 Lg.....	8
15	W-469	Hex Head 1/4 x 3/4 Lg	2
16	D-5273	Locknut - 3/4 Unitorque.....	8
17	K67053	Q2 Bushing - 2.50 ID x 2.75 OD x 1.75 Lg.....	4
18	K62677	Plate - Hydraulic Oil Line Holder	8
19	K62678	Plate - Hydraulic Oil Line Holder, Lube Lines and Wiring.....	8
20	K64622	Lug - Rolling Rack Stop	4
21	N34476	Reflector - Red	2
22	N34477	Reflector - Yellow	2
23	N34478	Reflector - Orange.....	2
Rolling Rack Cart Assembly - Quantities given per assembly			
24	K62102	Rolling Rack Cart	1
25	K67720	Bearing.....	8
26	K62101	Forklift Tooth - 8 x 84	1
27	P1314876	Spiral Pin - 3/8 x 2 3/4 Lg.....	4
28	D-5273	Locknut - 3/4 Unitorque.....	2
29	K68411	Snap Ring - External 1-3/16	4
30	K64625	Shaft - Roller Axle	4
31	K62105	Wheel - Rolling Rack - 5 Dia.....	4
32	K62687	Socket Head Cap Screw - 3/4 x 2 1/2	2

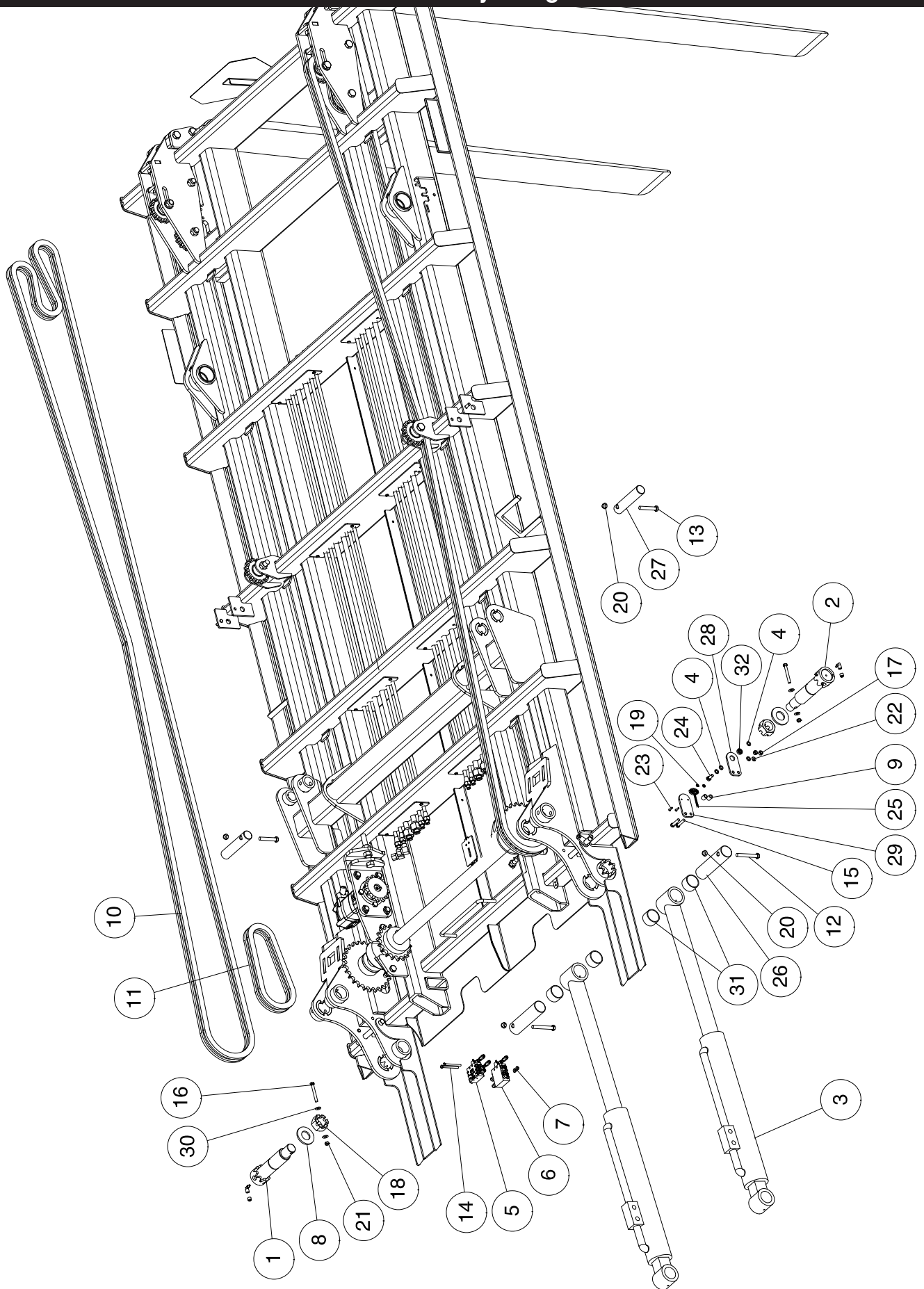
Bed Assembly - Stage 2



Bed Assembly - Stage 2

Item	Part No.	Description	Qty
1	12236	Sprocket - 26 Tooth - 80 chain.....	2
2	K53447	Idler Sprocket - 12 Tooth - 80 chain.....	8
3	K62114	Flanged Bearing.....	2
4	K62652	Chain Tensioner.....	2
5	S39648	Bushing - 0.765 ID x 1 1/8 OD x 1 3/16 Lg.....	16
6	K62750	Drive Sprocket - 13 Tooth - 80 chain.....	1
7	K62906	Sprocket - 18 Tooth - 80 chain.....	1
8	12254	Keystock - 1/2 x 2 1/2 Lg.....	3
9	K62154	Hydraulic Motor - 245cc (Seal Kit K69331)	1
10	S-751	Flatwasher - 17/32 ID x 1 1/8 OD x 3/16.....	4
11	W-488	Hex Bolt - 1/2 x 2 Lg.....	8
12	K62378	Hex Bolt - 3/4 x 5 Lg.....	1
13	S-1191	Hex Bolt - 3/4 x 5 Lg.....	8
14	W-500	Hex Bolt - 5/8 x 2 1/4 Lg.....	4
15	W-518	Hex Nut - 3/4.....	6
16	F-3405	Locknut - 1/2 Uunitorque.....	8
17	D-5273	Locknut - 3/4 Uunitorque.....	16
18	K-5703	Locknut - 5/8 Uunitorque.....	4
19	K62773	Drive Shaft - Rolling Rack - 2 Dia x 49 Lg.....	1
20	K62160	Motor Mount - Rolling Rack.....	1
21	W-476	Flatwasher - 3/4.....	4

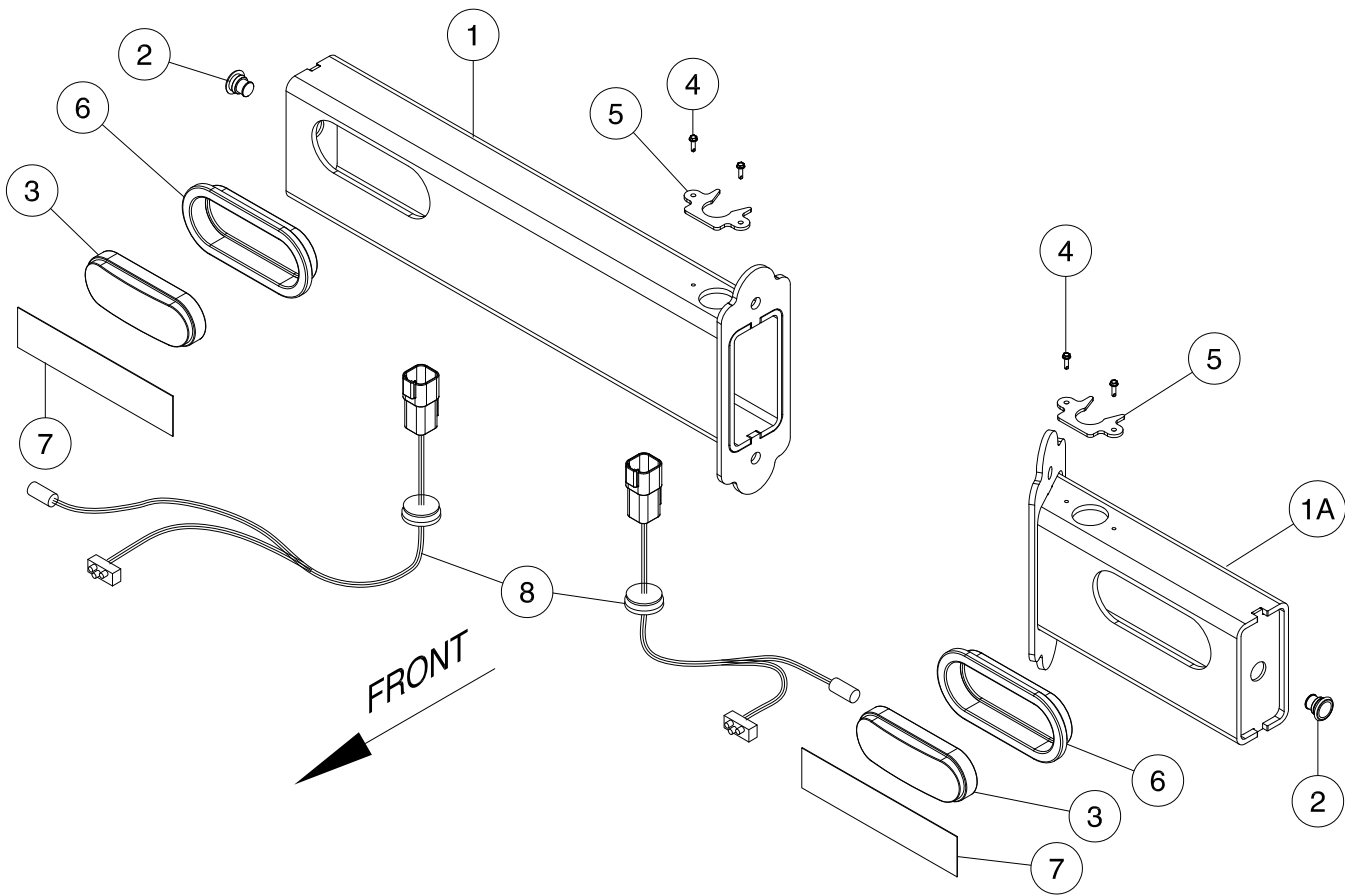
Bed Assembly - Stage 3



Bed Assembly - Stage 3

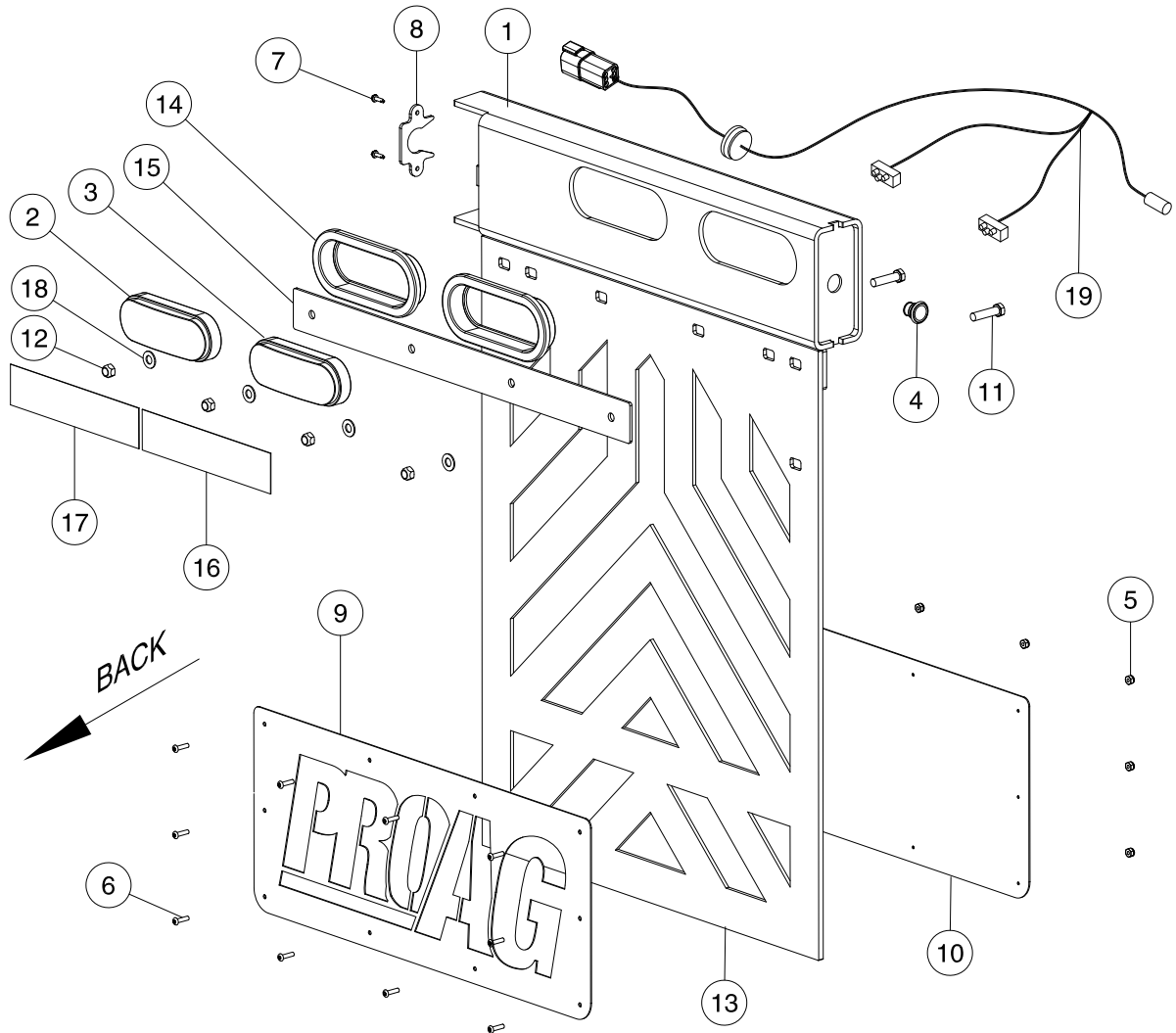
Item	Part No.	Description	Qty
1	K62175	Pin - Left Loader Pivot.....	1
2	K62910	Pin - Right Loader Pivot.....	1
3	K67300	Loader Cylinder - 3 1/2 x 20 x 2 1/2 Dia shaft - 08 ORB.	2
4	W-542	Flatwasher - 3/8	3
5	K67941	Lincoln Quick Lube - 6 Port Divider Block (619-27121)	1
6	K67726	Lincoln Quick Lube - 8 Port Divider Block (619-26396-2)	1
7	D-5277	Locknut - 1/4 Flange	20
8	A58726	Washer - 1 17/32 ID x 3 OD x 1/4 Thick	2
9	N32079	Bushing - 0.385 ID x 5/8 OD x 3/4 Lg	2
10	K62675	Chain - HD 80 - 315 Lg including connector link K24114 on each end	2
11	K67886	Chain - HD 80 - 34 Lg including connector link K24114.....	1
12	W-494	Hex Bolt - 1/2 x 3 3/4 Lg.....	2
13	W-492	Hex Bolt - 1/2 x 3 Lg.....	2
14	H-4696	Hex Bolt - 1/4 x 3 1/4 Lg.....	2
15	W-619	Hex Bolt - 3/8 x 1 3/4 Lg.....	2
16	W-1854	Hex Bolt - 3/8 x 3 Lg.....	2
17	W-514	Hex Nut - 3/8	2
18	N21728	Hex Slotted Nut - 1 1/2-12 UNF	2
19	N16304	Locknut #8-32 UNC	2
20	F-3405	Locknut - 1/2 Uunitorque.....	12
21	M-3388	Locknut - 3/8 Uunitorque.....	2
22	W-523	Lockwasher - 3/8.....	2
23	K69333	Machine Screw #8-32 UNC x 3/4 Lg.....	2
24	K67331	Hex Bolt - 3/8 x 1 Lg - Stainless with Magnetic Head	1
25	K67298	Sensor - Angular Position.....	1
26	K62777	Pin - 2 Dia x 7 3/4 Lg - Loader/Bed.....	2
27	K67648	Pin - 1 1/2 Dia x 7 Lg - Grab Hook.....	2
28	K67619	Sensor Bolt Bracket	1
29	K68646	Sensor Mount - Hitch	1
30	S-1199	Flatwasher - 3/8 ID x 7/8 OD x 14 Ga	4
31	K62377	Q2 Bushing - 2.001 ID x 2.250 OD x 1.625 Lg	4
32	K67616	Bearing - 3/8 ID x 7/8 OD x 9/32 thick	1

Light Bracket Assembly - Front



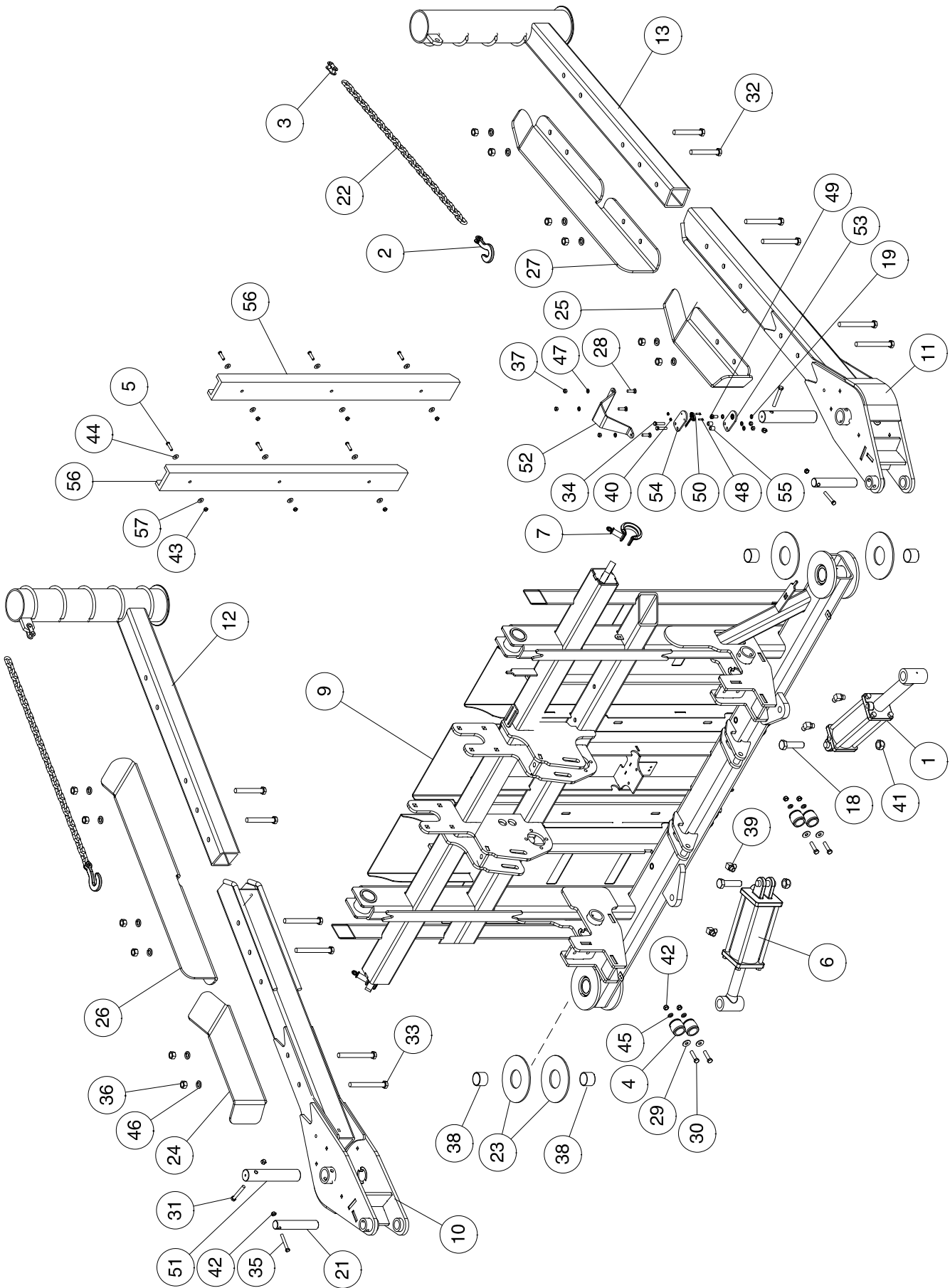
Item	Part No.	Description	Qty
1	K64115	Light Bracket Front - Right.....	1
1A	K64114	Light Bracket Front - Left.....	1
2	K67642	Button Light - Amber	1
3	K67644	Light Amber.....	1
4	K69169	Machine Screw - #8 Stainless Steel.....	2
5	K68302	Locking Plate - Light Harness	1
6	K68538	Grommet	1
7	N34477	Reflector - Yellow	1
8	K67997	Wiring Harness	1
	K69166	Light Bracket Assembly - Right (includes items 1, 2 - 8)	
	K69167	Light Bracket Assembly - Left (includes items 1A, 2 - 8)	

Light Bracket Assembly - Back



Item	Part No.	Description	Qty
1	K64032	Light Module - Right.....	1
1A	K64022	Light Module - Left - Not Shown.....	1
2	K67643	Light - Red	1
3	K67644	Light - Amber.....	1
4	K68854	Button Light - Red	1
5	K69170	Locknut - #10 Nylon Insert	10
6	K69168	Socket Cap Screw - #10 x 3/4 Lg.....	10
7	K69169	Machine Screw - #8 Stainless.....	2
8	K68302	Plate - Harness Lock.....	1
9	K68652	Mud Flap Plate - ProAG	1
10	K68653	Mud Flap Plate - Back.....	1
11	W-477	Hex Bolt - 3/8 x 1 1/2 Lg.....	4
12	10229	Locknut - 3/8 Nylon Insert.....	4
13	11589	Mud Flap.....	1
14	K68538	Grommet.....	2
15	A67400	Mount - Mud Flap (11429).....	1
16	N34476	Reflector - Red.....	1
17	N34478	Reflector - Orange.....	1
18	D-5489	Flat Washer - 13/32 ID x 13/16 OD x 16 Ga.....	4
19	K67996	Wiring Harness	1
	K69164	Light Bracket Assembly - Right (includes items 1, 2 - 19)	
	K69165	Light Bracket Assembly - Left (includes items 1A, 2 - 19)	

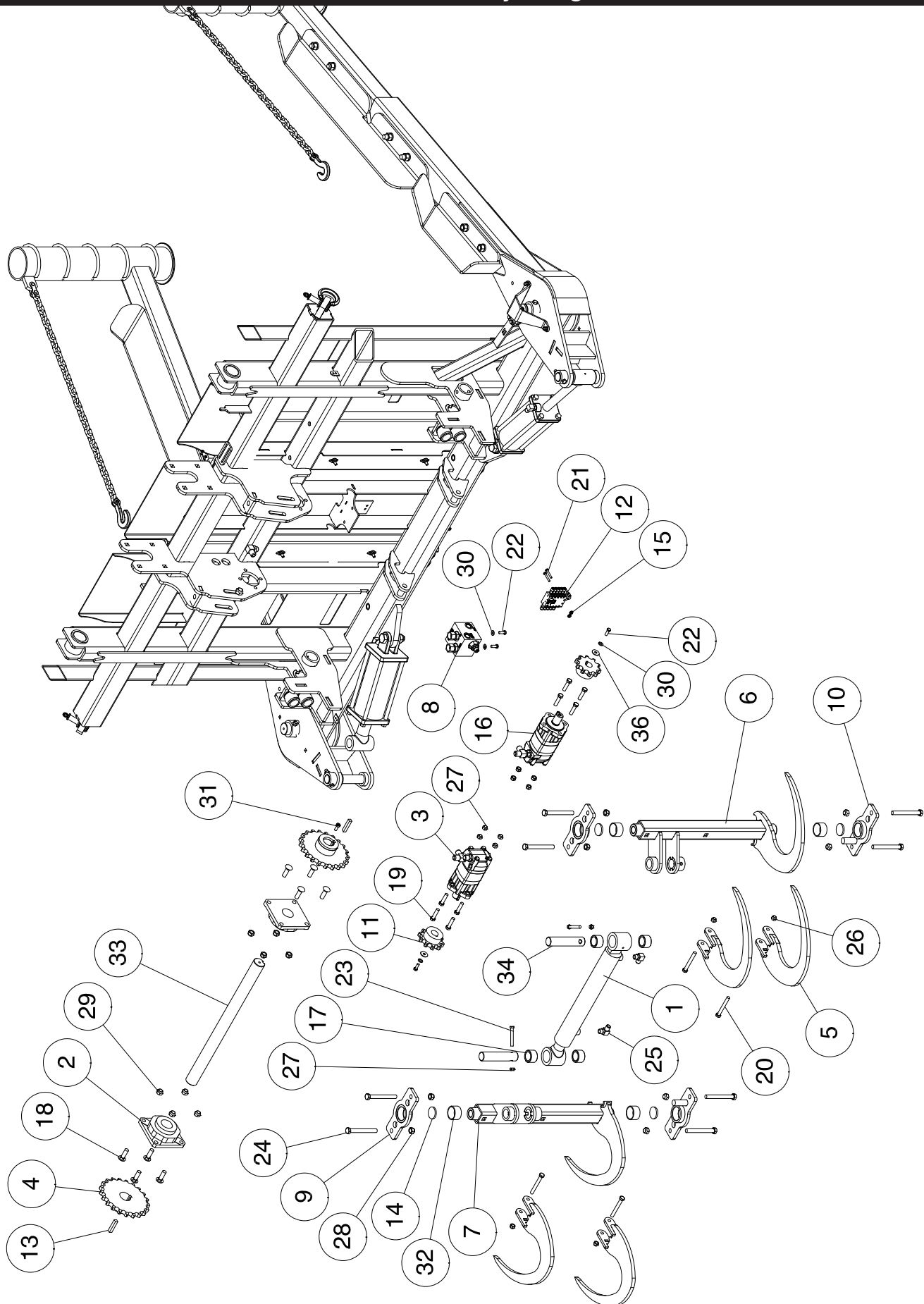
Loader Assembly - Stage 1



Loader Assembly - Stage 1

Item	Part No.	Description	Qty
1	10439	RT AA Cylinder - 4 1/2 x 8 x 2 Dia shaft - 08 ORB (AW-0027)	1
2	10662	Grab Hook - 3/8 Chain	2
3	10677	Twin Clevis	2
4	11678	Frame Bumper	4
5	10075	Hex Cap Screw - 3/8 x 1 1/2 Lg	6
6	10440	LT AA Cylinder - 4 x 8 x 1 3/8 Dia shaft - 08 ORB (AW-0028)	1
7	10827	Shackle Pin - 3/4	2
8	K50112	Bale Spike	3
9	K62125	Loader Weldment	1
10	K62180	Alignment Arm Stub - Left	1
11	K62183	Alignment Arm Stub - Right	1
12	K62191	Alignment Arm End - Left	1
13	K62367	Alignment Arm End - Right	1
14	K62652	Chain Tensioner	2
15	K62959	Power Slide Weldment	1
16	K64608	Grab Hook Pre Weld	4
17	K67616	Bearing - 3/8 ID x 7/8 OD x 9/32 thick	1
18	K69182	Hex Bolt - 1 x 3 3/4 Lg (Special cut bolt length)	2
19	W-542	Flatwasher - 13/32 ID x 11/16 OD x 12 Ga	2
20	A21596	Bushing - 0.760 ID x 1 OD x 1 1/2 Lg	4
21	K64014	Pin - 1 1/2 Dia x 8 1/2 Lg	2
22	10369	Chain - 3/8 x 8 Ft Lg	2
23	C18662	Wear Plate - 3 1/8 ID x 8 OD x 1/4 thick	4
24	K47303	Squeeze Plate - Alignment Arm - Left	1
25	K47304	Squeeze Plate - Alignment Arm - Right	1
26	K67288	Loader Arm Plate - Right	1
27	K67289	Loader Arm Plate - Left	1
28	D-5261	Carriage Bolt - 3/8 x 1 1/2 Lg	3
29	W-539	Flatwasher - 17/32 ID x 1 3/8 OD x 7/64 thick	4
30	10604	Hex Bolt - 1/2 x 2 Lg	4
31	W-493	Hex Bolt - 1/2 x 3 1/2 Lg	2
32	C-3919	Hex Bolt - 3/4 x 5 1/2 Lg	4
33	S32590	Hex Bolt - 3/4 x 7 Lg Gr8	8
34	W-619	Hex Bolt - 3/8 x 1 3/4 Lg	2
35	W-492	Hex Bolt - 1/2 x 3 Lg	2
36	W-518	Hex Nut - 3/4	12
37	W-514	Hex Nut - 3/8	5
38	K62377	Q2 Bushing - 2 ID x 2 1/4 OD x 1 5/8 Lg	4
39	10180	90 Elbow - 3/4-16 (#08) MJIC x 3/4-16 (#08) MORB	4
40	N16304	Locknut #8-32 UNC	2
41	D-5274	Locknut - 1 Uunitorque	2
42	F-3405	Locknut - 1/2 Uunitorque	8
43	10229	Locknut - 3/8 Nylon Insert	6
44	W-538	Flat Washer - 7/16 ID x 1 OD x 14 Ga	12
45	W-525	Lockwasher - 1/2	4
46	W-527	Lockwasher - 3/4	12
47	W-523	Lockwasher - 3/8	5
48	K69333	Machine Screw #8-32 UNC x 3/4 Lg	2
49	K67331	Hex Bolt - 3/8 x 1 Lg - Stainless with Magnetic Head	1
50	K67298	Sensor - Angular Position	1
51	K62380	Pin - 2 Dia x 10 3/4 Lg	2
52	K67291	Sensor Guard	1
53	K67619	Sensor Bolt Bracket	1
54	K68646	Sensor Mount - Hitch	1
55	N32079	Bushing - 0.385 ID x 5/8 OD x 3/4 Lg	2
56	K62662	Loader Slider Plastic	2

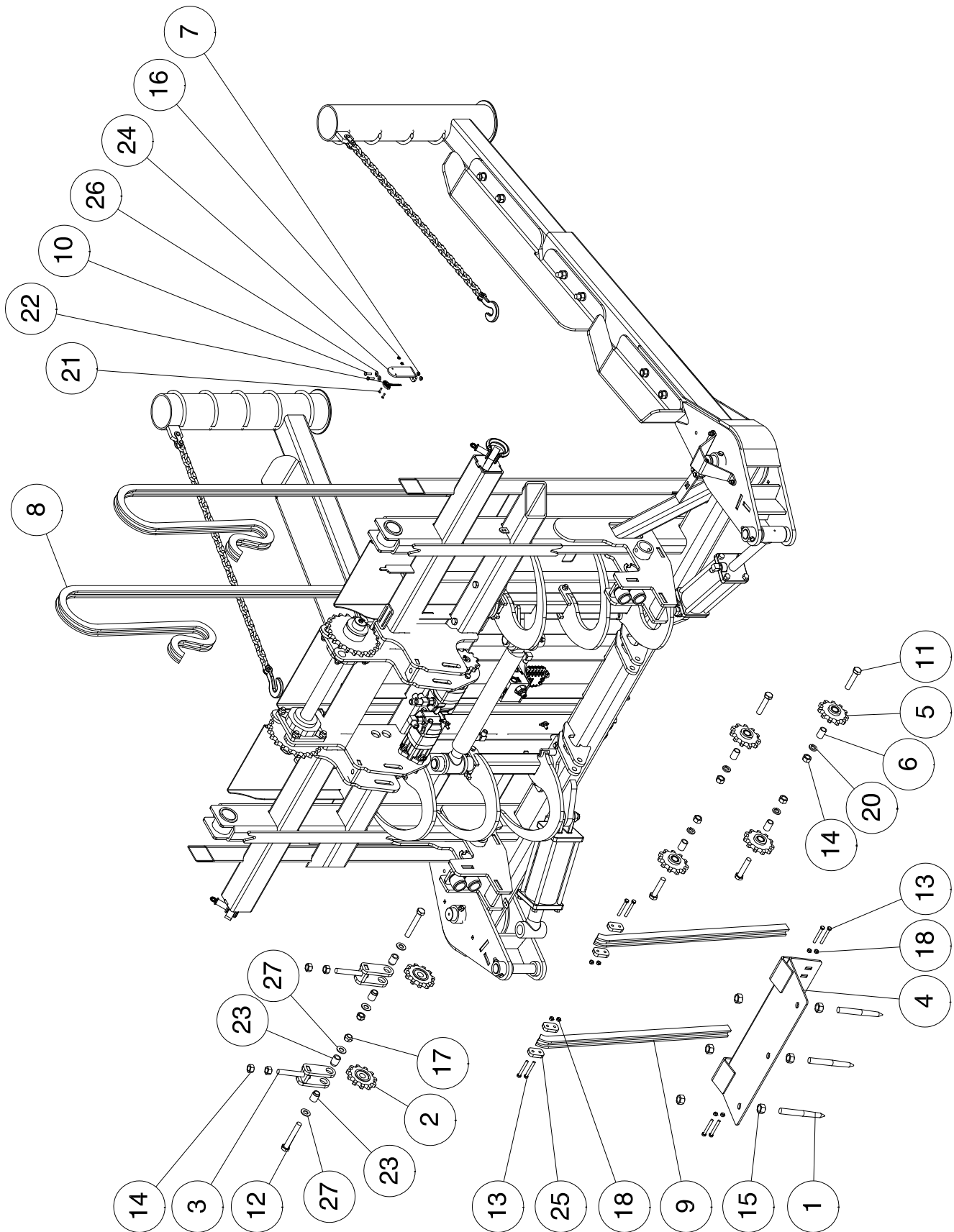
Loader Assembly - Stage 2



Loader Assembly - Stage 2

Item	Part No.	Description	Qty
1	12166	Grab Hook Cylinder - 2 1/2 x 16 x 1 3/4 Dia shaft - 08 ORB.....	1
2	12237	Flange Bearing - 4 Bolt.....	2
3	H18746	Tee - Swivel - (2) 7/8-14 MJIC x (1) 7/8-14 FJIC (MMF).....	2
4	K53405	Sprocket - 21 Tooth - 100 chain.....	2
5	K64608	Grab Hook.....	4
6	K64740	Grab Hook Spindle - Right.....	1
7	K65081	Grab Hook Spindle - Left.....	1
8	K65822	Valve Block - Counter Balance.....	1
9	K66022	Lower Grab Hook Mount.....	2
10	K66041	Upper Grab Hook Mount.....	2
11	K68542	Sprocket - 10 Tooth - 100 chain..... Retain to motor shaft with W14504 washer, W-523 Lockwasher and W-475 Bolt	2
12	K67727	Lincoln Quick Lube - 10 Port Divider (619-26844-1).....	1
13	12254	Keystock - 1/2 x 2 1/2 Lg.....	2
14	K65047	Thrust Washer - 2 Dia x 1/4 Thick.....	4
15	D-5277	Locknut - 1/4 Flange.....	2
16	K62154	Hydraulic Motor - 245cc (Seal Kit K69331).....	2
17	K69183	Brass Bushing - 1.514 ID x 2.035 OD x 1 1/4 Lg.....	4
18	T-5268	Carriage Bolt - 5/8 x 2 Lg.....	8
19	W-488	Hex Bolt - 1/2 x 2 Lg.....	8
20	W-495	Hex Bolt - 1/2 x 4 Lg.....	4
21	C-1471	Hex Bolt - 1/4 x 1 3/4 Lg.....	2
22	W-475	Hex Bolt - 3/8 x 1 Lg.....	4
23	W-492	Hex Bolt - 1/2 x 3 Lg.....	4
24	10065	Hex Bolt - 5/8 x 5 1/2 - Grade 8.....	8
25	10180	90 Elbow - 3/4-16 (#08) MJIC x 3/4-16 (#08) MORB.....	2
26	C26701	Locknut - 1/2 Nylon Insert.....	4
27	F-3405	Locknut - 1/2 Uunitorque.....	18
28	C17295	Locknut - 5/8 Nylon Insert.....	8
29	S-1197	Locknut - 5/8 Uunitorque.....	8
30	W-523	Lockwasher - 3/8.....	4
31	K67331	Hex Bolt - 3/8 x 1 Lg - Stainless with Magnetic Head.....	2
32	K65104	Q2 Bushing - 2 ID x 2 1/4 OD x 1 1/4 Lg.....	4
33	K62666	Shaft - 2" Dia x 28 Lg.....	1
34	K67648	Pin - 1 1/2 Dia x 7 Lg - Grab Hook.....	2
35	D-5489	Washer - 13/32 ID x 13/16 OD x 16 Ga.....	2
36	W14504	Washer - 13/32 ID x 1 3/4 OD x 10 Ga.....	2

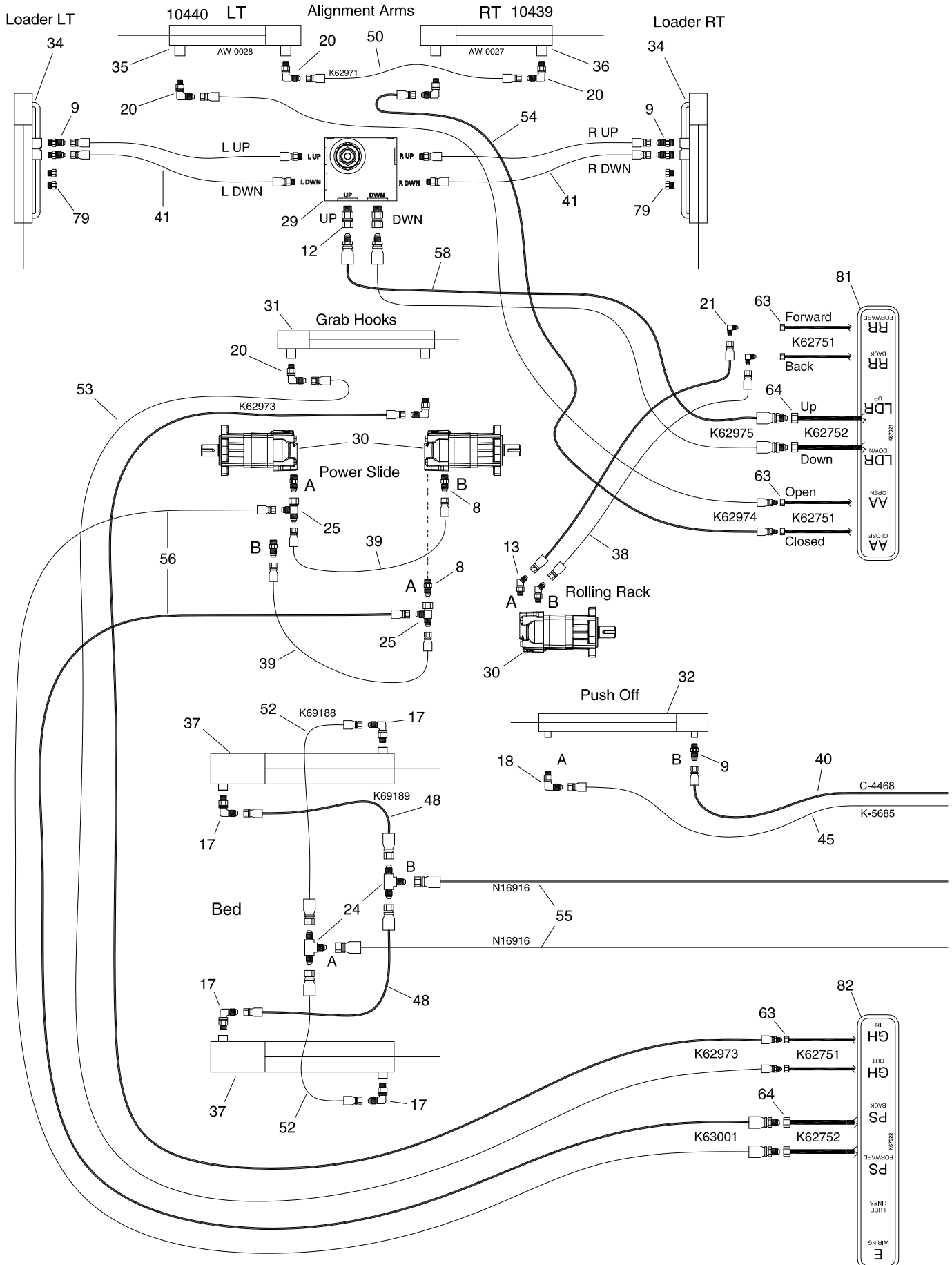
Loader Assembly - Stage 3



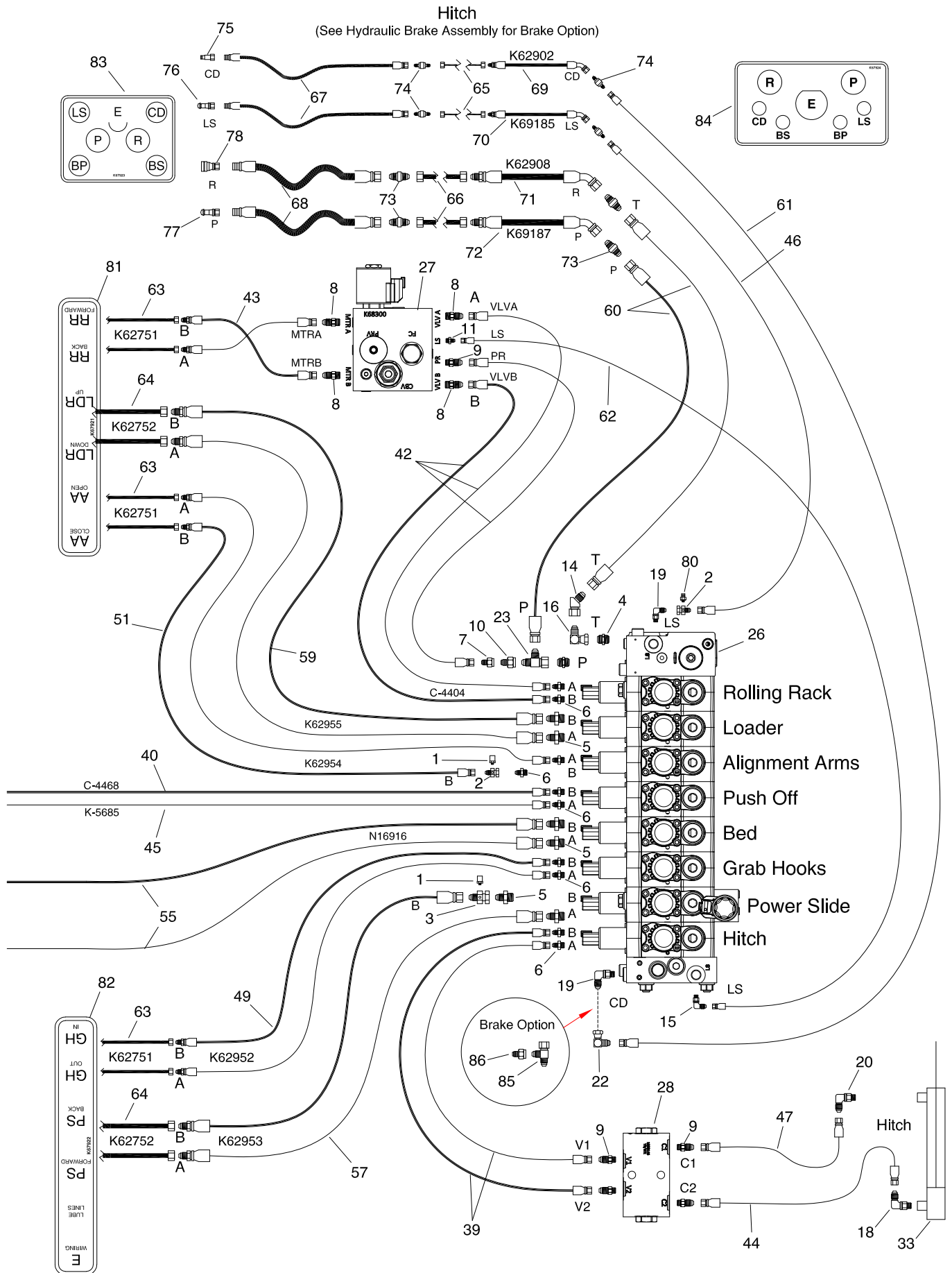
Loader Assembly - Stage 3

Item	Part No.	Description	Qty
1	K50112	Bale Spike.....	3
2	K53404	Sprocket - 11 Tooth - 100 Chain.....	2
3	K62652	Chain Tensioner.....	2
4	K62959	Power Slide	1
5	K66050	Idler Sprocket - 100 Chain.....	4
6	A21596	Bushing - 0.760 ID x 1 OD x 1 1/2 Lg	4
7	D-5277	Locknut - 1/4 Flange	4
8	K68543	Chain - 100H - 99 Links (123 3/4 Lg) (Note: Both ends to end on inner link).....	2
9	K68544	Chain - 100H - 29 Links (36 1/4 Lg) (Note: Both ends to end on inner link).....	2
10	W-1552	Hex Bolt - 1/4 x 1 Lg.....	2
11	11576	Hex Bolt - 3/4 x 3 1/2 Lg Gr. 8	4
12	S-1191	Hex Bolt - 3/4 x 5 Lg.....	2
13	K53407	Hex Bolt - 3/8 x Lg Gr. 8.....	8
14	W-518	Hex Nut - 3/4	20
15	W-519	Hex Nut - 7/8	6
16	N16304	Locknut #8-32 UNC	4
17	D-5273	Locknut - 3/4 Uunitorque.....	2
18	M-3388	Locknut - 3/8 Uunitorque.....	8
19	W-525	Lockwasher - 1/2.....	4
20	W-527	Lockwasher - 3/4.....	16
21	K69333	Machine Screw #8-32 UNC x 3/4 Lg.....	4
22	K67298	Sensor - Angular Position.....	2
23	K68541	Spacer Reducer - 1.125 OD to 0.990 OD x 0.765 ID x 1 3/8 Lg.....	4
24	K67364	Sensor Bracket.....	1
25	K68539	Back Stop - Power Slide.....	4
26	S-1198	Washer - 5/16 ID x 3/4 OD x 1/16 Thick	2
27	W-476	Flatwasher - 3/4	4

Hydraulic Assembly



Hydraulic Assembly



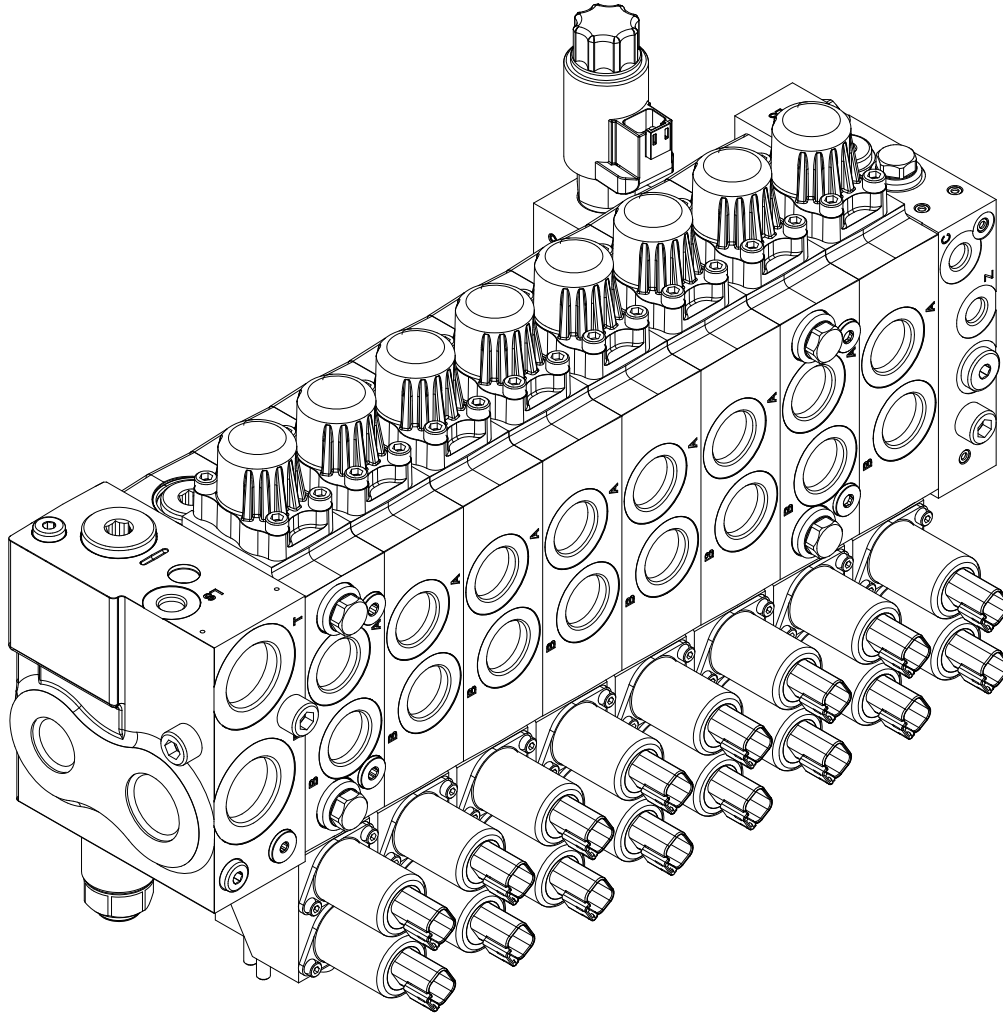
Hydraulic Assembly

Item	Part No.	Description	Qty
1	K62977	Pressure Transducer	2
2	K62978	Tee - Gauge Port - 7/8-14 (#10) MJIC x 7/8-14 (#10) FJIC x 7/16-20 (#4) FORB	2
3	K62979	Tee - Gauge Port - 1 1/16-12 (#12) MJIC x 1 1/16-12 (#12) FJIC x 7/16-20 (#4) FORB ...	1
4	N58621	Connector - 1 5/16-12 MJIC (#16) x 1 5/16-12 MORB (#16)	2
5	N15990	Connector 1 1/16-12 MJIC (#12) x 1 1/16-12 MORB (#12)	6
6	N47903	Connector - 7/8-14 MJIC (#10) x 1 1/16-12 MORB (#12)	10
7	N19337	Connector - 7/8-14 MJIC (#10) x 1 1/16-12 FJIC (#12)	1
8	N34505	Connector - 7/8-14 MJIC (#10) x 7/8-14 MORB (#10)	8
9	C14840	Connector - 7/8-14 MJIC (#10) x 3/4-16 MORB (#08)	10
10	N19338	Connector - 1 1/16-12 MJIC (#12) x 1 5/16-12 FJIC (#16)	1
11	N29358	Connector - 9/16-18 MJIC x 9/16-18 MORB.....	1
12	N37849	Connector - 1 1/16-12 (#12) FJIC x 1 1/16-12 (#12) MORB.....	2
13	N51990	45 Elbow - 3/4 MJIC x 7/8 MORB	2
14	N36382	45 Elbow - Swivel - 1 5/16-12 FJIC x 1 5/16-12 MJIC.....	1
15	N16143	90 Elbow - 9/16-18 MJIC x 9/16-18 MORB	1
16	N58616	90 Elbow - 1 5/16-12 MJIC (#16) x 1 5/16-12 FJIC (#16).....	1
17	N34644	90 Elbow - 3/4-16 MJIC x 1 1/16-12 MORB	4
18	C24585	90 Elbow - 7/8-14 MJIC x 3/4-16 MORB	3
19	S39505	90 Elbow - 7/8-14 MJIC x 9/16-18 MORB	2
20	10180	90 Elbow - 3/4-16 (#08) MJIC x 3/4-16 (#08) MORB	7
21	11358	90 Elbow - 3/4-16 (#08) MJIC x 3/4-16 (#08) FJIC	2
22	K-5806	90 Elbow - Swivel - 7/8-14 MJIC x 7/8-14 FJIC	1
23	N19336	Tee - Swivel - (1) 1 5/16-12 FJIC x (2) 1 5/16-12 MJIC (M-M-F)	1
24	N19549	Tee - (3) 1 1/16-12 MJIC (11368).....	2
25	H18746	Tee - Swivel - (2) 7/8-14 MJIC x (1) 7/8-14 FJIC (MMF)	2
26	K62786	Valve Block - Main Hydraulic	1
27	K68300	Valve Block - Counter Balance - Rolling Rack.....	1
28	K68627	Valve Block - Dual Direction Pilot Check.....	1
29	K65822	Valve Block - Counter Balance	1
30	K62154	Hydraulic Motor - 245 cc (Seal Kit K69331)	3
31	12166	Grab Hook Cylinder - 2 1/2 x 16 x 1 3/4 Dia shaft - 08 ORB.....	1
32	12168	Pushoff Cylinder - 3 x 30 x 1 1/2 Dia shaft - 08 ORB	1
33	10449	Hitch Cylinder - 3 1/2 x 18 x 1 3/4 Dia shaft - 08 ORB	1
34	K67300	Loader Cylinder - 3 1/2 x 20 x 2 1/2 Dia shaft - 08 ORB.....	2
35	10440	LT AA Cylinder - 4 x 8 x 1 3/8 Dia shaft - 08 ORB (AW-0028).....	1
36	10439	RT AA Cylinder - 4 1/2 x 8 x 2 Dia shaft - 08 ORB (AW-0027).....	1
37	10436	Bed Cylinder - 5 x 36 x 2 1/2 Dia shaft - 12 ORB.....	2
38	K62972	Hyd Hose - 1/2 x 20 Lg - 3/4-16 (#08) FJIC x 3/4-16 (#08) MJIC	2
39	C-4383	Hyd Hose - 1/2 x 20 Lg - 7/8-14 FJIC swivel ends.....	4
40	C-4468	Hyd Hose - 1/2 x 24 Lg - 7/8-14 FJIC swivel ends.....	1
41	K62976	Hyd Hose - 1/2 x 34 Lg - 7/8-14 (#10) FJIC x 7/8-14 (#10) MORB	4
42	C-4404	Hyd Hose - 1/2 x 36 Lg - 7/8-14 FJIC swivel ends.....	3
43	K62956	Hyd Hose - 1/2 x 36 Lg - 3/4-16 (#08) MJIC x 7/8-14 (#10) FJIC	2
44	C26344	Hyd Hose - 1/2 x 42 Lg - 7/8-14 FJIC swivel ends.....	1
45	K-5685	Hyd Hose - 1/2 x 48 Lg - 7/8-14 FJIC swivel ends.....	1
46	C15309	Hyd Hose - 1/2 x 48 Lg - 3/4-16 FJIC x 7/8-14 FJIC	1
47	K62951	Hyd Hose - 1/2 x 54 Lg - 7/8-14 (#10) FJIC x 3/4-16 (#08) FJIC.....	1
48	K69189	Hyd Hose - 1/2 x 60 Lg - 3/4-16 (#08) FJIC x 1 1/16-12 (#12) FJIC	2
49	K62952	Hyd Hose - 1/2 x 64 Lg - 3/4-16 (#08) MJIC x 7/8-14 (#10) FJIC	2
50	K62971	Hyd Hose - 1/2 x 64 Lg - 3/4-16 (#08) FJIC.....	1
51	K62954	Hyd Hose - 1/2 x 72 Lg w/ 3/4-16 (#08) MJIC x 7/8-14 (#10) FJIC.....	2
52	K69188	Hyd Hose - 1/2 x 75 Lg - 3/4-16 (#08) FJIC x 1 1/16-12 (#12) FJIC	2
53	K62973	Hyd Hose - 1/2 x 78 Lg - 3/4-16 (#08) FJIC x 3/4-16 (#08) MJIC	2
54	K62974	Hyd Hose - 1/2 x 130 Lg - 3/4-16 (#08) FJIC x 3/4-16 (#08) MJIC	2
55	N16916	Hyd Hose - 3/4 x 22 Lg - 1 1/16-12 (#12) FJIC	2

Hydraulic Assembly

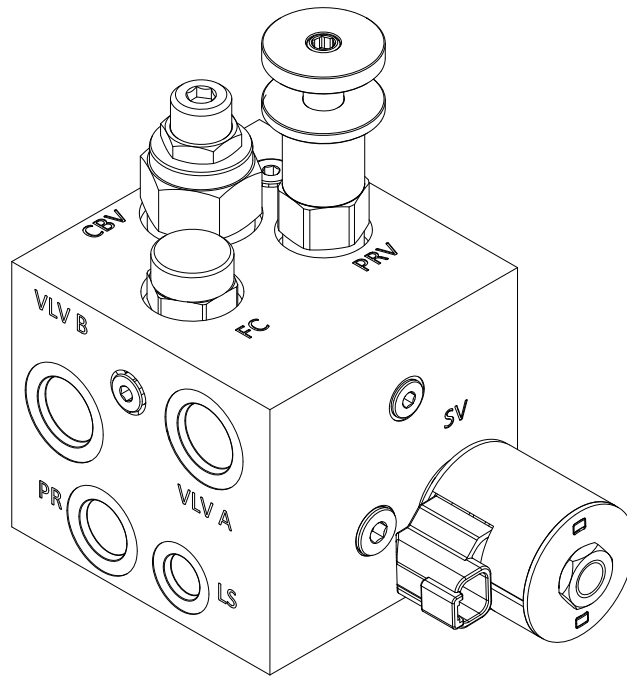
Item	Part No.	Description	Qty
56	K63001	Hyd Hose - 3/4 x 56 Lg w/ 7/8-14 (#10) FJIC x 1 1/16-12 (#12) MJIC	2
57	K62953	Hyd Hose - 3/4 x 64 Lg - 1 1/16-12 (#12) MJIC x 1 1/16-12 (#12) FJIC.....	2
58	K62975	Hyd Hose - 3/4 x 70 Lg - 1 1/16-12 (#12) MJIC x 1 1/16-12 (#12) MJIC	2
59	K62955	Hyd Hose - 3/4 x 78 Lg - 1 1/16-12 (#12) MJIC x 1 1/16-12 (#12) FJIC.....	2
60	K62922	Hydraulic Hose - 3/4 x 54 - 1 5/16 FJIC x 1 5/16 FJIC	2
61	K62903	Hydraulic Hose - 1/2 x 60 - 7/8 FJIC x 3/4 FJIC	1
62	S44353	Hyd Hose - 3/8 x 48 Lg - 9/16-18 (#06) FJIC Ends.....	1
63	K62751	Oil Line - 1/2 x 84 Lg - 3/4-16 (#08) FJIC ends	6
64	K62752	Oil Line - 3/4 x 84 Lg - 1 1/16-12 (#12) FJIC ends.....	4
65	K62753	Oil Line - 1/2 x 128 Lg - 3/4-16 (#08) FJIC ends.....	2
66	K62754	Oil Line - 1 x 129 Lg -1 5/16-12 (#16) FJIC ends.....	2
67	K62920	Hyd Hose - 1/2 x 72 Lg - 3/4-16 (#08) FJIC x 3/4-16 (#08) MORB.....	2
68	K62921	Hyd Hose - 3/4 x 72 Lg - 1 5/16-12 (#16) FJIC x 1 1/16-12 (#12) MORB	2
69	K62902	Hyd Hose - 1/2 x 72 Lg - 3/4-16 (#08) MJIC x 3/4-16 (#08) FJIC 45 Deg	1
70	K69185	Hyd Hose - 1/2 x 66 1/2 Lg - 3/4-16 (#08) MJIC x 3/4-16 (#08) FJIC 45 Deg	1
71	K62908	Hyd Hose - 3/4 x 70 1/2 Lg - 1 5/16-12 (#16) MJIC x 1 5/16-12 (#16) FJIC 45 Deg	1
72	K69187	Hyd Hose - 3/4 x 67 Lg - 1 5/16-12 (#16) MJIC x 1 5/16-12 (#16) FJIC 45 Deg	1
73	K62131	Bulk Head Union - 1 5/16-12 (#16) MJIC	2
74	K62123	Bulk Head Union - 3/4-16 (#08) MJIC	2
75	K50834	3/8 Flat Face Tip - 3/4-16 FORB	1
76	N34443	1/2 Male Pioneer Tip - 3/4-16 FORB	1
77	N37914	3/4 Male Tip - 1 1/16-12 FORB.....	2
78	N37915	3/4 Female Coupler - 1 1/16-12 FORB.....	2
79	C28505	Plug - 3/4-16 (#08) MORB	4
80	N64583	Coupler - Test Port - 7/16-20 (#4) MORB	1
81	K67921	Decal - Hydraulic Identification - Loader Bed.....	2
82	K67922	Decal - Hydraulic Identification - Loader Bed.....	2
83	K67923	Decal - Hydraulic Identification - Hitch Front	1
84	K67924	Decal - Hydraulic Identification - Hitch Back	1
See Hydraulic Brake Assembly for following items: (if equipped with brakes)			
85	H18746	Tee - (2) 7/8-14 MJIC x (1) 7/8-14 FJIC - (M-M-F) - Swivel.....	1
86	F10389	Connector - 9/16-18 MJIC x 7/8-14 FJIC	1
	K62753	Oil Line - 1/2 x 128 Lg - 3/4-16 (#08) FJIC ends.....	1
	K69086	Hyd Hose - 3/8 x 72 Lg w/ M18 x 1.5 Male DIN x 9/16-18 FJIC	1
	K69186	Hyd Hose - 1/2 x 68 1/2 Lg - 3/4-16 (#08) MJIC x 3/4-16 (#08) FJIC 45 Deg	1
	K62123	Bulk Head Union - 3/4-16 (#08) MJIC	2
	K50954	Brake Coupler - Female - 08 (1/2 inch) M18 x 1.5 Thread	1
	K51052	Bonded Seal - 18mm Male DIN (9500-18mm)	1

Hydac Valve - K62786



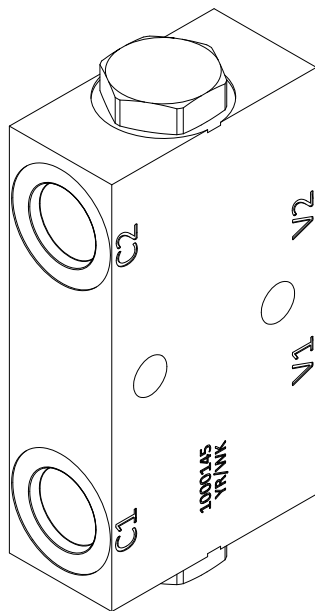
Item	Part No.	Description	Qty
1			

Rolling Rack Valve - K68300



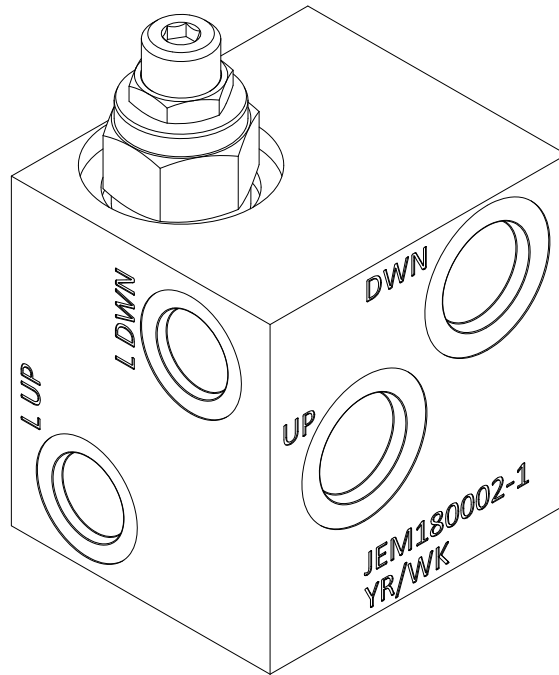
Item	Part No.	Description	Qty
1		Counter Balance Valve Cartridge - CBPA-12-N-S-O-30/30	1
2		E-Coil 12 VDC - 4303712	1
3		Solenoid Valve - Spool-Type 2 Way - SV10-24-0-N-00	1
4		Pressure Relief Valve - PR10-36B-0-N-15/5	1
5		Flow Regulator - 3 GPM - FR10-20F-0-N-3.0	1

Pilot Check Valve - K68627



Item	Part No.	Description	Qty
1			

Counter Balance Valve - K65822



Item	Part No.	Description	Qty
1		Counter Balance Valve Cartridge - CBPA-12-N-S-O-30/30	

Cylinder Specification Sheet



Name: Bed Cyl Part # 10436
 Type: Welded Length: 48 3/4"
 Bore X Stroke: 5" x 36"
 Packing Kit PMCK-AW-0024



Name: Left Loader Cyl Part # K67300
 Type: Welded
 Bore X Stroke: 3 1/2" x 20" Length: 32 7/8"
 Packing Kit # K49705
 Blind End Journal Bushing # 10936



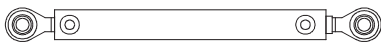
Name: Right Loader Cyl Part # K67300
 Type: Welded
 Bore X Stroke: 3 1/2" x 20" Length: 32 7/8"
 Packing Kit # K49705
 Blind End Journal Bushing # 10936



Name: Left Alnmt Cyl Part # 10440
 Type: Tie-Rod
 Bore X Stroke: 4" x 8" Length: 19 5/8"
 Packing Kit # PMCK-AW-0028



Name: Right Alnmt Cyl Part # 10439
 Type: Tie-Rod Length: 19 5/8"
 Bore X Stroke: 4.5" x 8"
 Packing Kit # PMCK-AW-0027



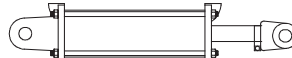
Name: Grab Hook 03 Cyl Part # 12166
 Type: Welded
 Bore X Stroke: 2 1/2" x 16" Length: 26 3/4"
 Packing Kit # PMCK-AR-707



Name: Tensioner Cyl Part # 12167
 Type: Tie-Rod Length: 18 1/4"
 Bore X Stroke: 2" x 8"
 Packing Kit # PMCK-BD-0574



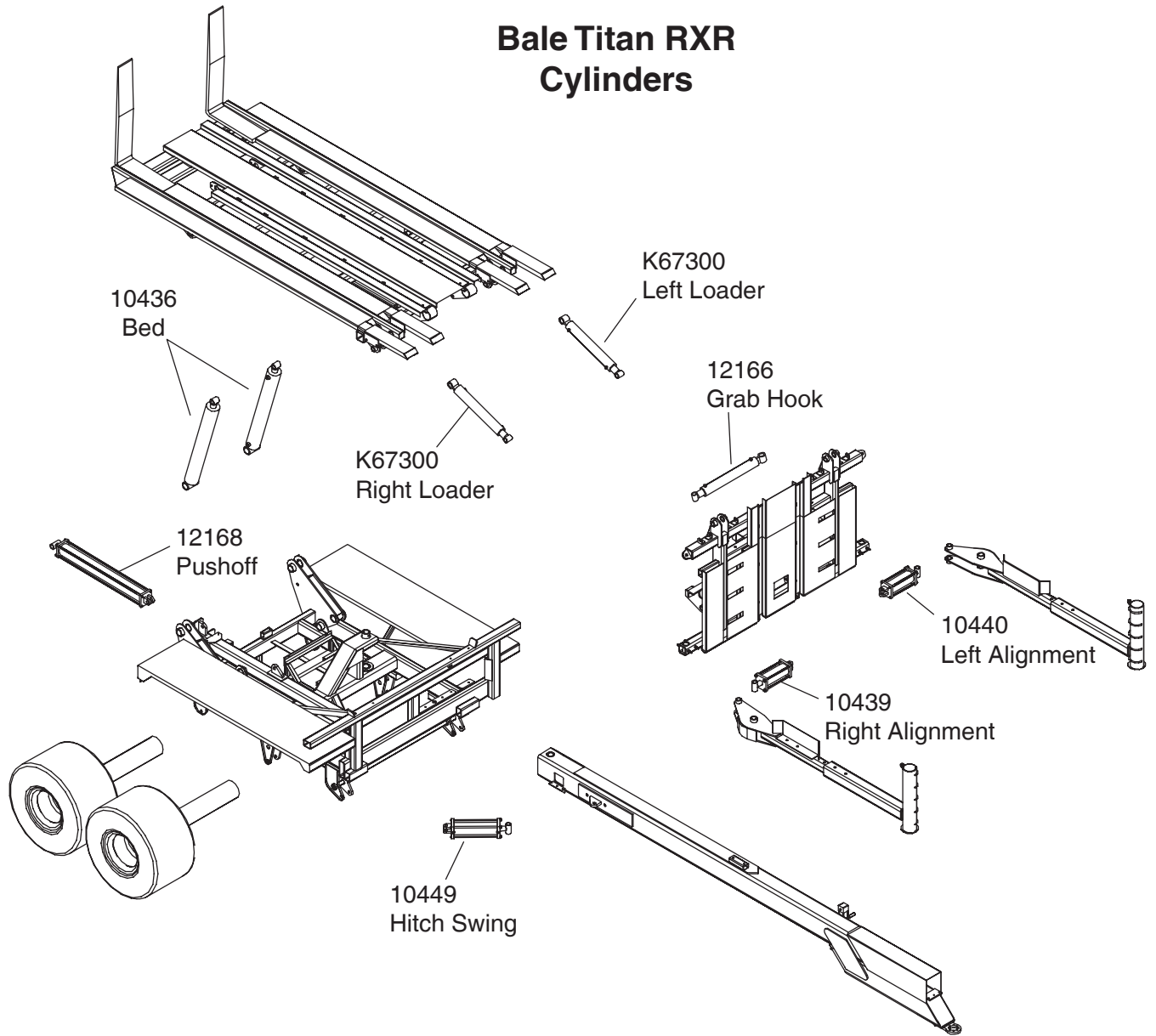
Name: K Hitch Cyl Part # 10449
 Type: Welded Length: 34 7/8"
 Bore X Stroke: 3.5" x 18"
 Packing Kit # PMCK-AU-0478
 Clevis - Screw On - K49746



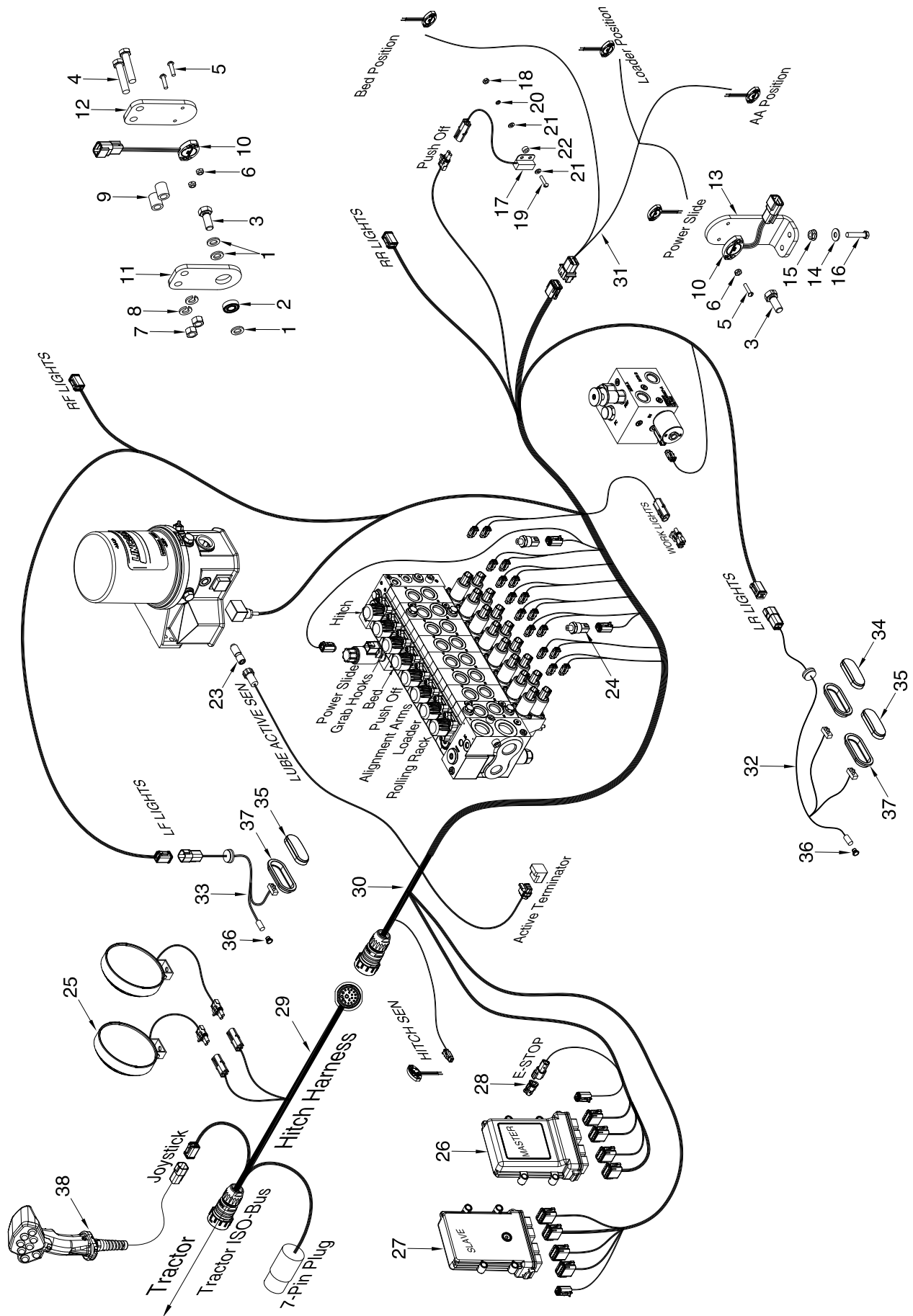
Name: Pushoff Cyl Part # 12168
 Type: Tie-Rod
 Bore X Stroke: 3" x 30" Length: 40 1/4"
 Packing Kit # PMCK-BD-0575

Cylinder Location Sheet

Bale Titan RXR Cylinders



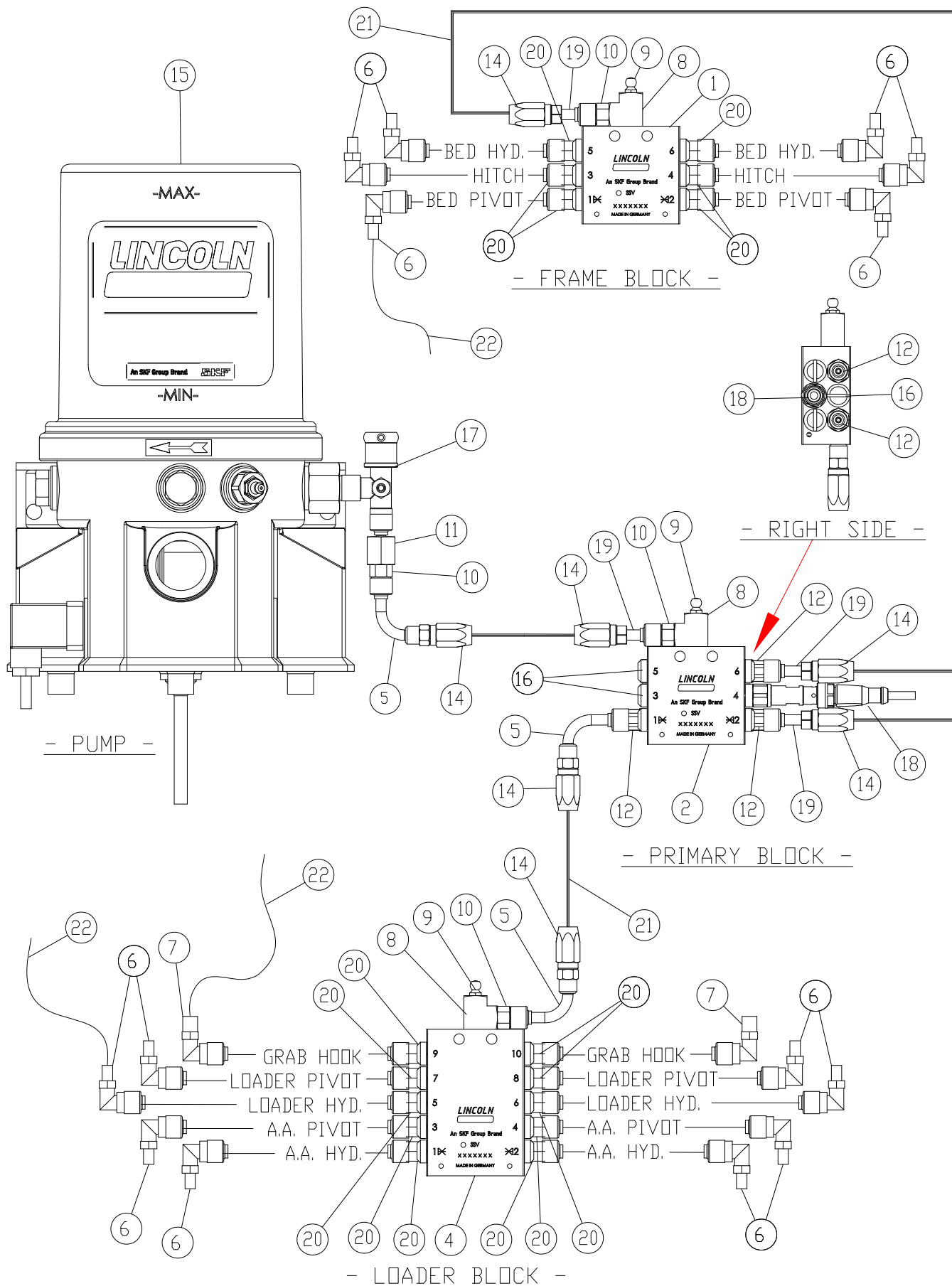
Electrical Control Assembly



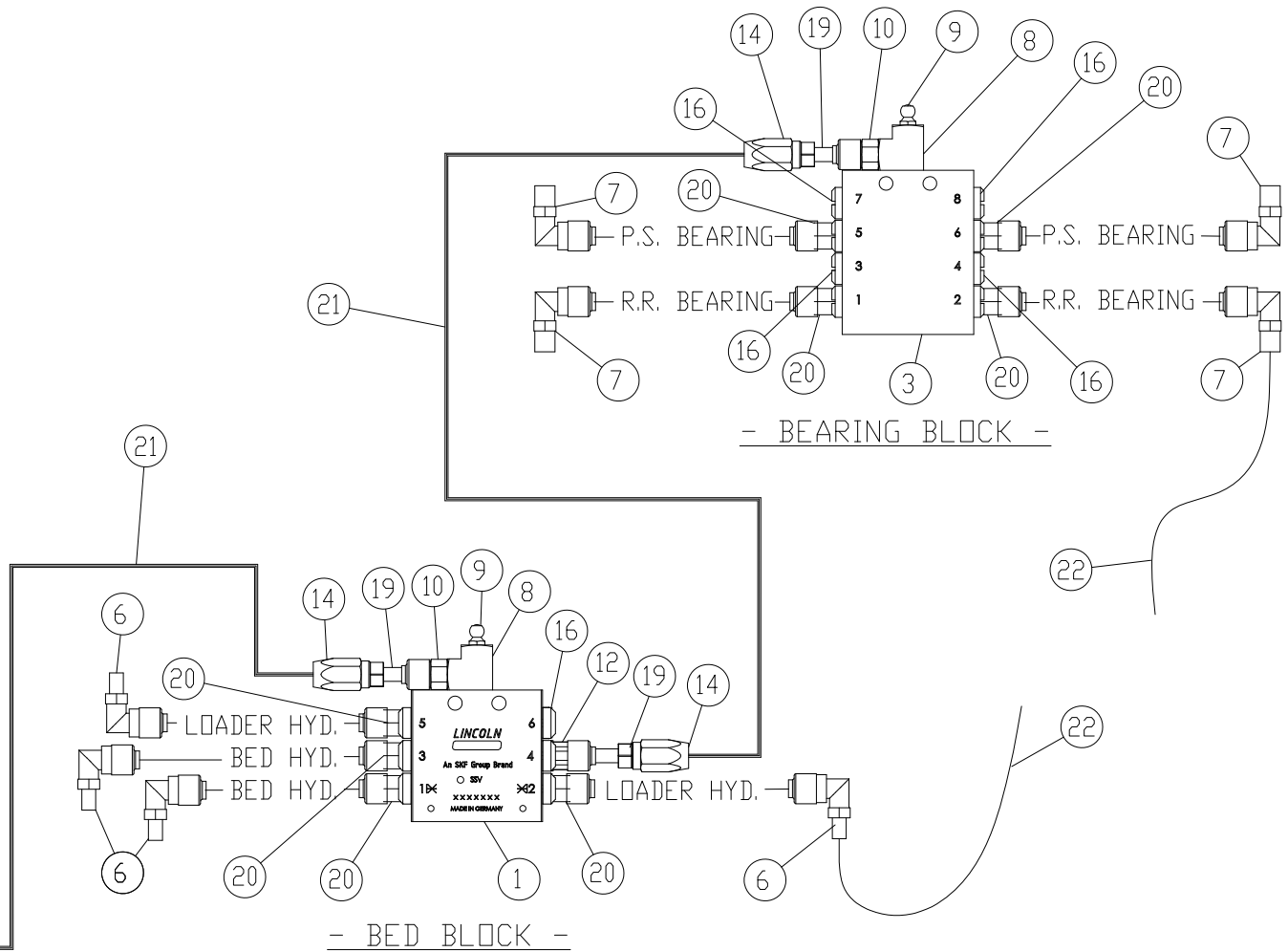
Electrical Control Assembly

Item	Part No.	Description	Qty
		Quantities given per sensor	
1	W-542	Flatwasher - 13/32 ID x 11/16 OD x 12 Ga.....	3
2	K67616	Bearing - 3/8 ID x 7/8 OD x 9/32 thick	1
3	K67331	Hex Bolt - 3/8 x 1 Lg - Stainless with Magnetic Head	1
4	W-619	Hex Bolt - 3/8 x 1 3/4 Lg.....	2
5	K69333	Machine Screw - #8-32 UNC x 3/4 Lg.....	2
6	N16304	Locknut - #8-32 UNC	2
7	W-514	Hex Nut - 3/8.....	2
8	W-523	Lockwasher - 3/8.....	2
9	N32079	Bushing - 0.385 ID x 5/8 OD x 3/4 Lg	2
10	K67298	Sensor - Angular Position (5 sensors per machine).....	1
11	K67619	Sensor Bolt Bracket	1
12	K68646	Sensor Mount.....	1
		Below Quantities per machine	
13	K67364	Sensor Mount - Power Slide.....	1
14	S-1198	Flatwasher - 5/16	2
15	D-5277	Locknut - 1/4 Flange	2
16	W-1552	Hex Bolt - 1/4 x 1 Lg.....	2
17	11505	Sensor - Ferrous (1 sensor per machine)	1
18	11570	Hex Nut #12 - Brass	2
19	11571	Machine Screw #12 - 24 x 1 Lg - Brass.....	2
20	11572	Lockwasher #12 - 0.216 ID - Brass.....	2
21	11573	Flat Washer #12 - 0.25 ID x 0.562 OD - Brass.....	4
22	11575	Nylon Spacer - 1/4 ID x 1/2 OD x 1/4Lg	2
23	K68654	Sensor - Proximity Switch (1 sensor per machine)	1
24	K62977	Pressure Transducer	2
25	N50367	Lights - Optional.....	2
26	K69670	Falcon Controller - Master.....	1
27	K69671	Falcon Controller - Slave	1
28	K69457	E-Stop Bridge.....	1
29	K68626	Harness - Hitch	1
30	K68625	Harness - Main Frame.....	1
31	K68624	Harness - Bed	1
32	K67996	Harness Light Bar - Rear (See Light Bracket Assembly 1-17).....	2
33	K67997	Harness Light Bar - Front (See Light Bracket Assembly 1-16)	2
34	K67643	Light - Red	2
35	K67644	Light - Amber.....	4
36	K68854	Button Light - Red	4
37	K68538	Grommet.....	6
38	K65825	Joystick - 8 Button and Trigger.....	1
	K69472	Raven CR7 Display Kit - Optional when not using Tractor ISO plug (Not Shown)	

Greaser Kit - K68310

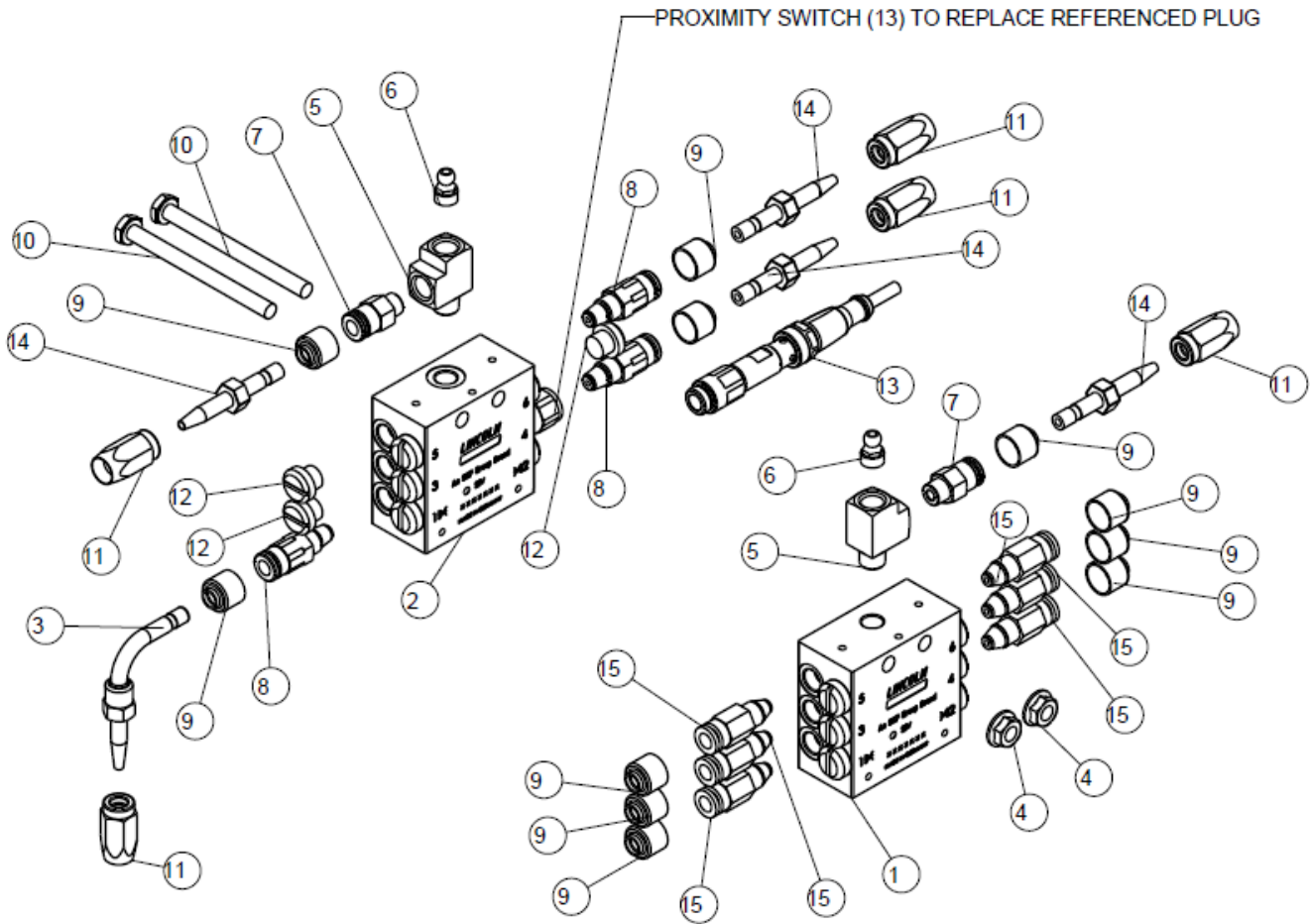


Greaser Kit - K68310



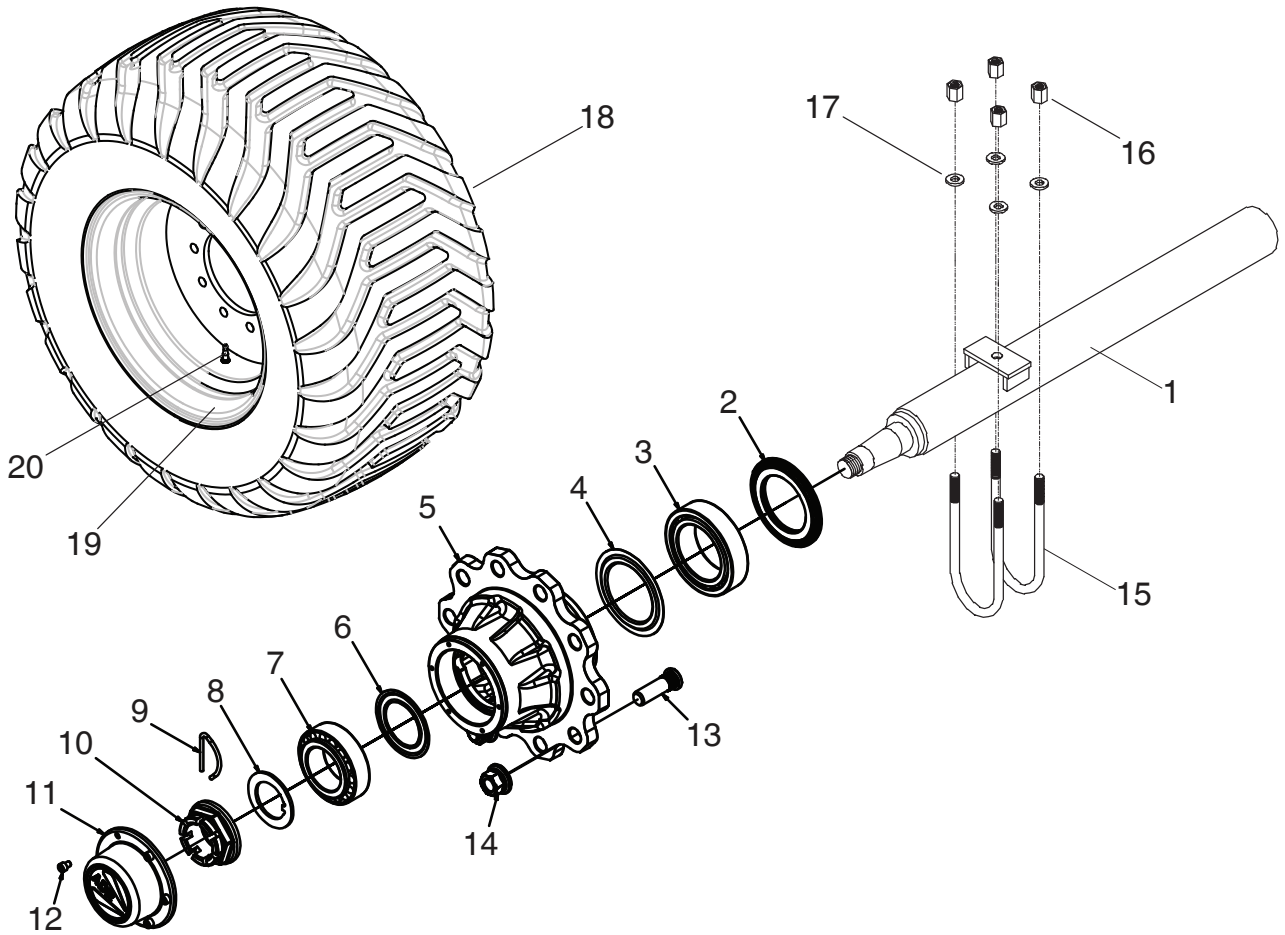
Item	Part No.	Description	Qty
1	K67941	6 Port Divider	2
2	K67725	6 Port Divider W/ Check	1
3	K67726	8 Port Divider	1
4	K67727	10 Port Divider.....	1
5	K68703	90 Degree High Pressure Barb	3
6	K68637	90 Degree Swivel W/ 1/4 28 Thread.....	18
7	K68707	90 Degree Swivel W/ 1/8 NPT.....	6
8	K68706	1/8 FNPT x 1/8 FNPT x 1/8 MNPT Tee	5
9	C-304	1/8 MNPT Straight Grease Fitting	5
10	K68702	1/8 MNPT x Quick Link Inlet	6
11	K68651	1/8 NPT x Quick Link Adapter	1
12	K68701	1/8 NPT x Quick Link W/ Check.....	4
13	K68641	Dust Boot	59
14	K68705	High Pressure Threaded Sleeve.....	10
15	K67054	Lincoln Pump	1
16	K68708	Outlet Plug	8
17	K68647	Pressure Relief.....	1
18	K68654	Sensor - Proximity Switch	1
19	K68704	Straight High Pressure Barb.....	7
20	K68638	Straight Outlet W/ 1/8 NPT.....	24
21	K69709	High Pressure Lubrication Line (Black) - 1/8 ID x 40 ft	
22	K69710	Low Pressure Lubrication Line (Grey) - 1/4 OD x 50 ft	

Greaser - Primary Valve Detail



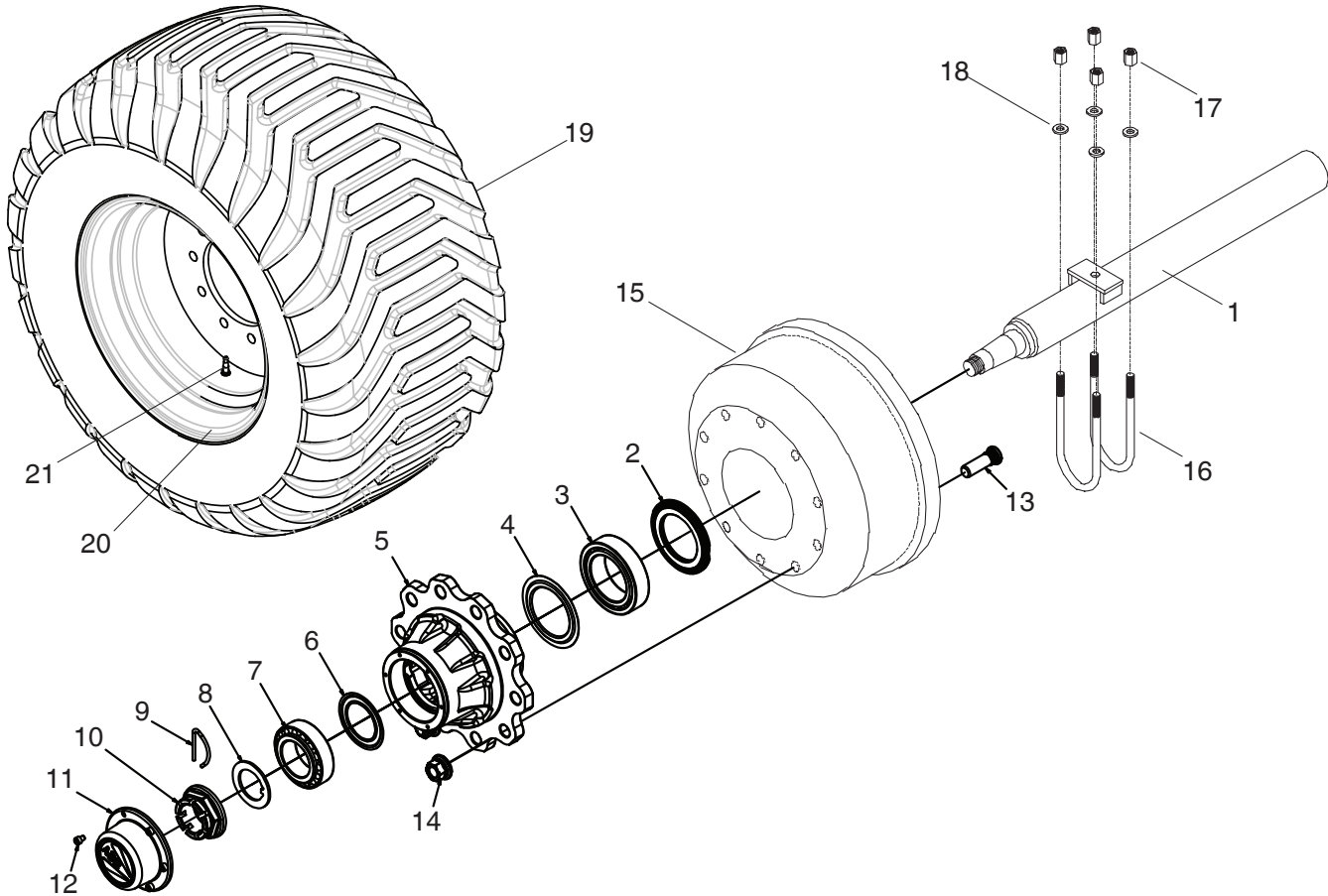
Item	Part No.	Description	Qty
1	K67941	6 Port Divider	1
2	K67725	6 Port Divider W/ Check	1
3	K68703	90 Degree High Pressure Barb	1
4	D-5277	Locknut - 1/4 Flanged	2
5	K68706	1/8 FNPT x 1/8 FNPT x 1/8 MNPT Tee	2
6	C-304	1/8 MNPT Straight Grease Fitting	2
7	K68702	1/8 MNPT x Quick Link Inlet	2
8	K68701	1/8 NPT x Quick Link W/ Check	3
9	K68641	Dust Boot	11
10	H-4696	Hex Bolt - 1/4 x 3 1/4 Lg.	2
11	K68705	High Pressure Threaded Sleeve	5
12	K68708	Outlet Plug	3
13	K68654	Proximity Switch	1
14	K68704	Straight High Pressure Barb	4
15	K68638	Straight Outlet W/ 1/8 NPT	6

Non Brake Hub Assembly



Item	Part No.	Description	Qty
* Quantities Listed Are For One Axle			
1	K68297	ADR Axle Assembly - (Includes Items 2, 3, 4, 5, 6, 7, 8, 9, 10, 11, 12, 13 & 14).....	1
2	K65166	Grease Seal (5441402).....	2
3	K65167	Inside Bearing (59133018).....	2
4	K65168	NILOS for Bearing K65167 (5511402).....	2
5	K65169	Hub - H10 (61LZUA002).....	2
6	K65170	NILOS Grease Seal (5531092).....	2
7	K65171	Outside Bearing (59133114).....	2
8	K65172	Lock Washer for M58 (57B5801).....	2
9	K65173	Spring Pin for M58 (58212).....	2
10	K65174	Crown Nut - M58 x 1.50 WR80 H38 (57558B1).....	2
11	K65175	Cap with Gasket (56112518).....	2
12	K65176	Socket Head Screw (96308A0101).....	12
13	K65177	Wheel Stud - M22 x 1.50 L077 (57122B2) GR 10.9.....	20
14	K65178	Flange Wheel Nut - M22 x 1.5 WR32 - GR 10 (26mm Height) (57322B3).....	20
15	K68389	U-Bolt - 7/8 x 12 3/4 - 5 Round.....	4
16	12013	Nut - U-Bolt.....	8
17	12011	Washer - U-Bolt.....	8
18	K56777	Tire - 600/50 - 22.5 - Bias Ply (TVS EUROGRIP).....	1
19	S64947	Rim - 20 x 22.5 - 10 Bolt.....	1
20	N13968	Valve Stem - TR618A.....	1
	K65090	Tire and Rim Assembly - Left (Shown above)	
	K65091	Tire and Rim Assembly - Right (Not Shown)	

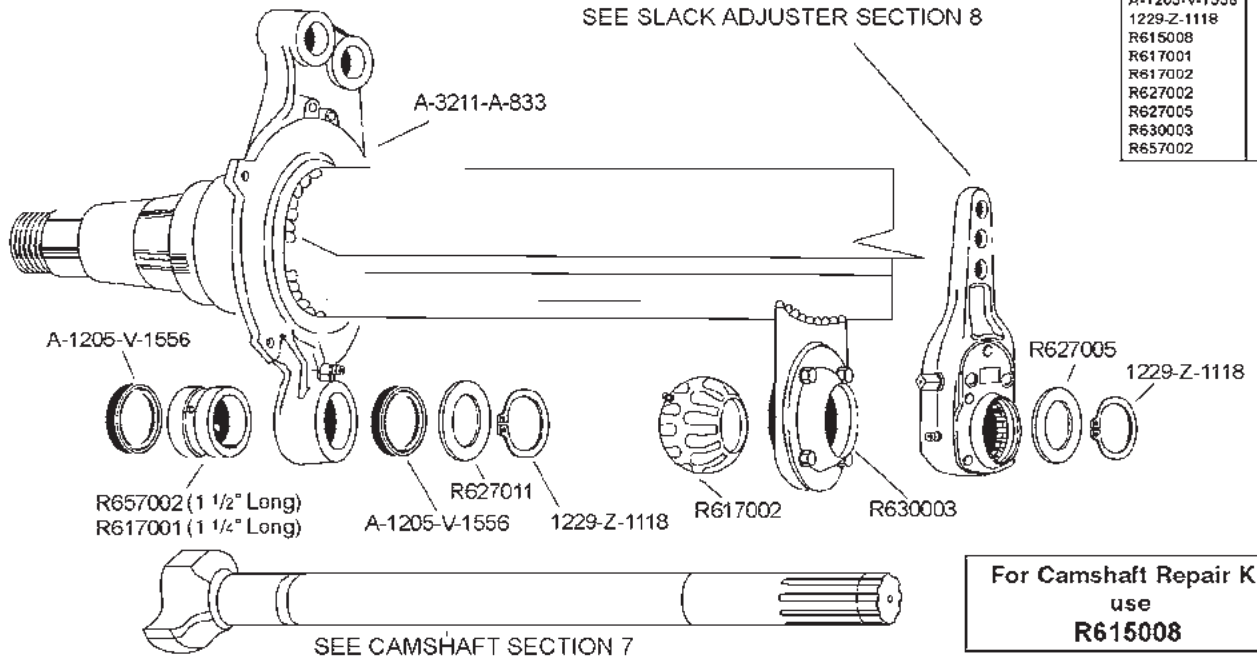
Brake Hub Assembly



Item	Part No.	Description	Qty
		* Quantities Listed Are For One Axle	
1	K68298	ADR Axle Brake Assembly - (Includes Items 2, 3, 4, 5, 6, 7, 8, 9, 10, 11, 12, 13 & 14).....	1
2	K65166	Grease Seal (5441402).....	2
3	K65167	Inside Bearing (59133018).....	2
4	K65168	NILOS for Bearing K65167 (5511402).....	2
5	K65169	Hub - H10 (61LZUA002).....	2
6	K65170	NILOS Grease Seal (5531092).....	2
7	K65171	Outside Bearing (59133114).....	2
8	K65172	Lock Washer for M58 (57B5801).....	2
9	K65173	Spring Pin for M58 (58212).....	2
10	K65174	Crown Nut - M58 x 1.50 WR80 H38 (57558B1).....	2
11	K65175	Cap with Gasket (56112518).....	2
12	K65176	Socket Head Screw (96308A0101).....	12
13	K65177	Wheel Stud - M22 x 1.50 L077 (57122B2) GR 10.9.....	20
14	K65178	Flange Wheel Nut - M22 x 1.5 WR32 - GR 10 (26mm Hight) (57322B3).....	20
15		Brake Drum (66LVA1005).....	2
16	K68389	U-Bolt - 7/8 x 12 3/4 - 5 Round.....	4
17	12013	Nut - U-Bolt.....	8
18	12011	Washer - U-Bolt.....	8
19	K56777	Tire - 600/50 - 22.5 - Bias Ply (TVS EUROGRIP).....	1
20	S64947	Rim - 20 x 22.5 - 10 Bolt.....	1
21	N13968	Valve Stem - TR618A.....	1
	K65090	Tire and Rim Assembly - Left (Shown above)	
	K65091	Tire and Rim Assembly - Right (Not Shown)	

Slack Adjustment Assembly

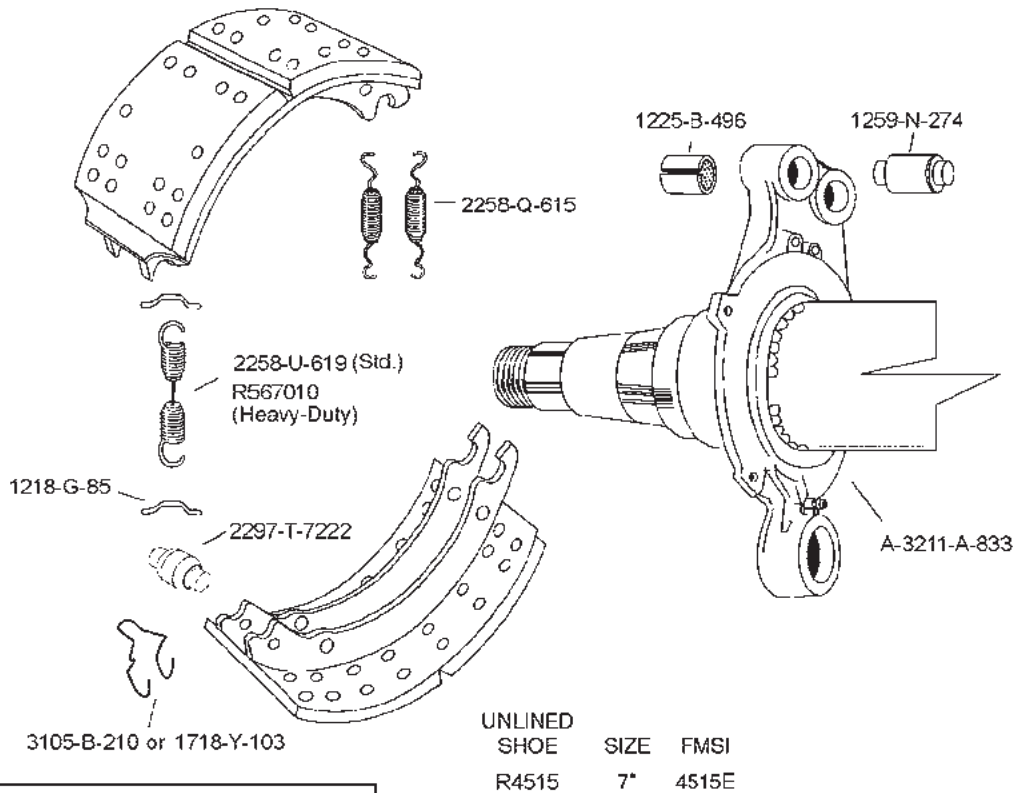
CAMSHAFT, BUSHINGS AND BRACKET PARTS



PAGE REFERENCE

MERITOR NO.	PAGE NO.
A-1205-V-1556	7-76
1229-Z-1118	7-68
R615008	7-58
R617001	7-71
R617002	7-71
R627002	7-66
R627005	7-63
R630003	7-74
R657002	7-70

BRAKE SHOES AND HARDWARE



PAGE REFERENCE

MERITOR NO.	PAGE NO.
1218-G-85	3-17
1225-B-496	3-7
1259-N-274	3-5
1718-Y-103	3-4
2258-Q-615	3-13
2258-U-619	3-15
2297-T-7222	3-2
3105-B-210	3-4
KIT 8000	2-24
KIT 8000HD	2-27
R4515	4-18
R567010	3-15

For Brake Repair Kit use
KIT 8000, KIT 8000HD

UNLINED SHOE	SIZE	FMSI
R4515	7"	4515E

Suspension Assembly

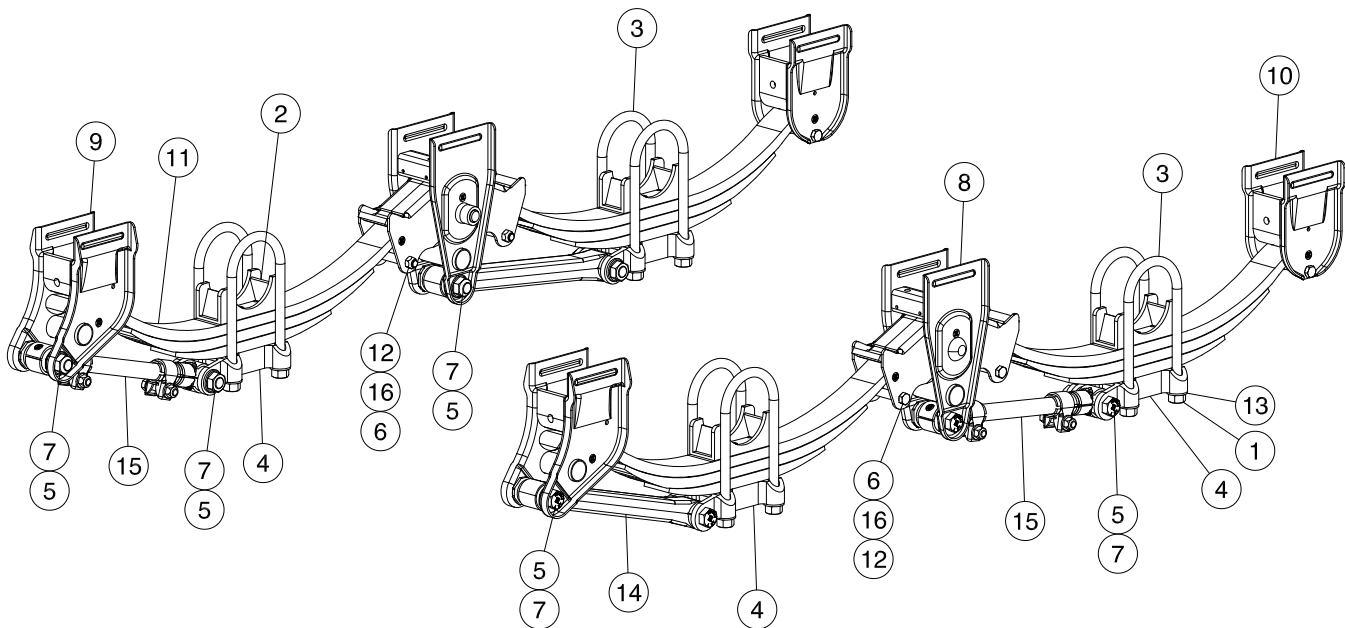
The Titan uses a Hutchens Industries trailer suspension similar to below.

For detailed information visit Hutchens website resource centre at www.hutchensindustries.com.

Suspension used is H-9700 underslung with 49" centers and 6 1/2" spring seat height with 5" round axles.

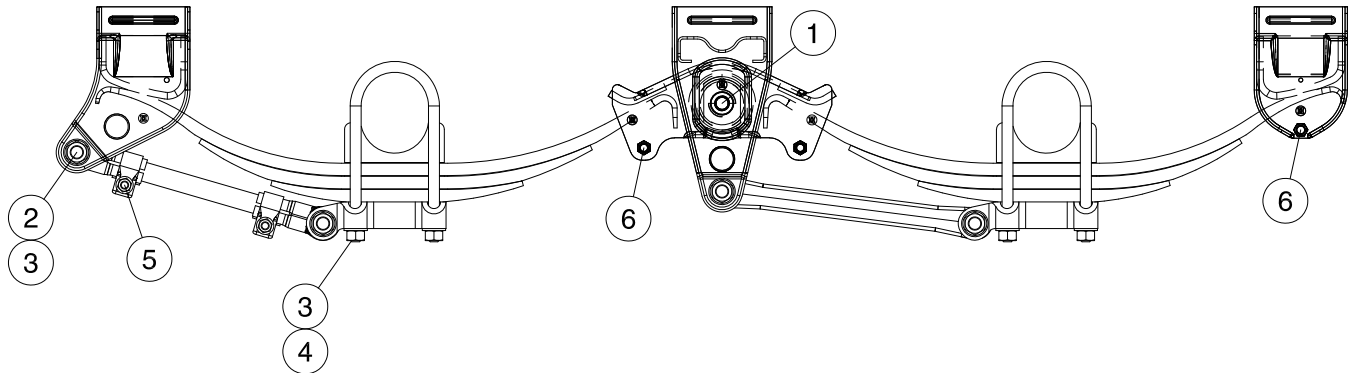
Parts available through PROAG dealers are as follows: also shown in **Frame Assembly - Stage 1**

All other suspension parts order through a qualified truck trailer shop.



Item	Part No.	Description	Qty
1	12013	Hex Nut - 7/8-14 UNF	16
2	A68296	Perch - Axle Mount - 3/4 high	4
3	K68389	U-Bolt - 7/8-14 UNF x 5 x 12 3/4 UL	8
4	K68394	Plate - Bottom Axle Attachment	4
5	K68403	Hex Bolt - 1 x 5.00 Lg.	8
6	K68412	Hex Bolt - 5/8-18 UNF x 4.50 Lg.	4
7	K68404	Locknut - 1 Flange	8
8	A68392	Hanger - Center	2
9	A68391	Hanger - Front	2
10	A68393	Hanger - Rear	2
11	K68400	Leaf Spring Pack	4
12	K-5703	Locknut - 5/8 Unitorque	12
13	12011	Washer - 15/16 ID x 1 3/4 OD	16
14	K68401	Torque Arm - Non Adjustable	2
15	K68402	Torque Arm - Adjustable	2
16	K68413	Tube - Shackle Spacer	4

Suspension Assembly

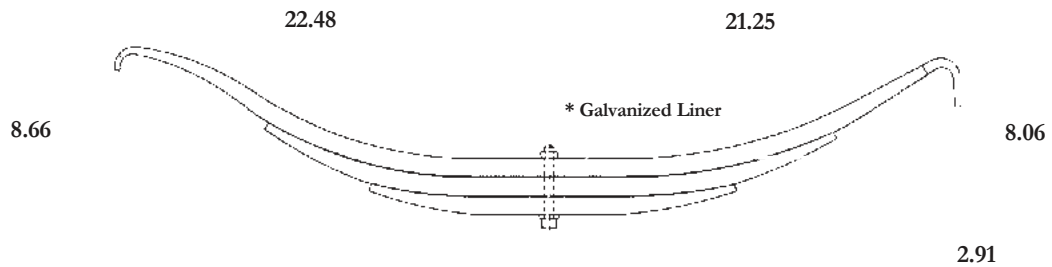


Torque Specifications

Item No.	Fastener	Oiled	Dry
1	1 1/8-7 (9600/9700 Rocker Bolt)	590 Lb-Ft	790 Lb-Ft
2	1-14 (9700 Radius Rod Bolt)	540 Lb-Ft	720 Lb-Ft
3	7/8-14 (Axle U-Bolt & 9600 Radius Rod Bolt)	350 Lb-Ft	470 Lb-Ft
4	3/4-16 (Axle U-Bolt)	310 Lb-Ft	420 Lb-Ft
5	5/8-18 (Radius Rod Clamp Bolt)	130 Lb-Ft	170 Lb-Ft
6	5/8-18 (Spring Retainer Bolt)	35 Lb-Ft	50 Lb-Ft

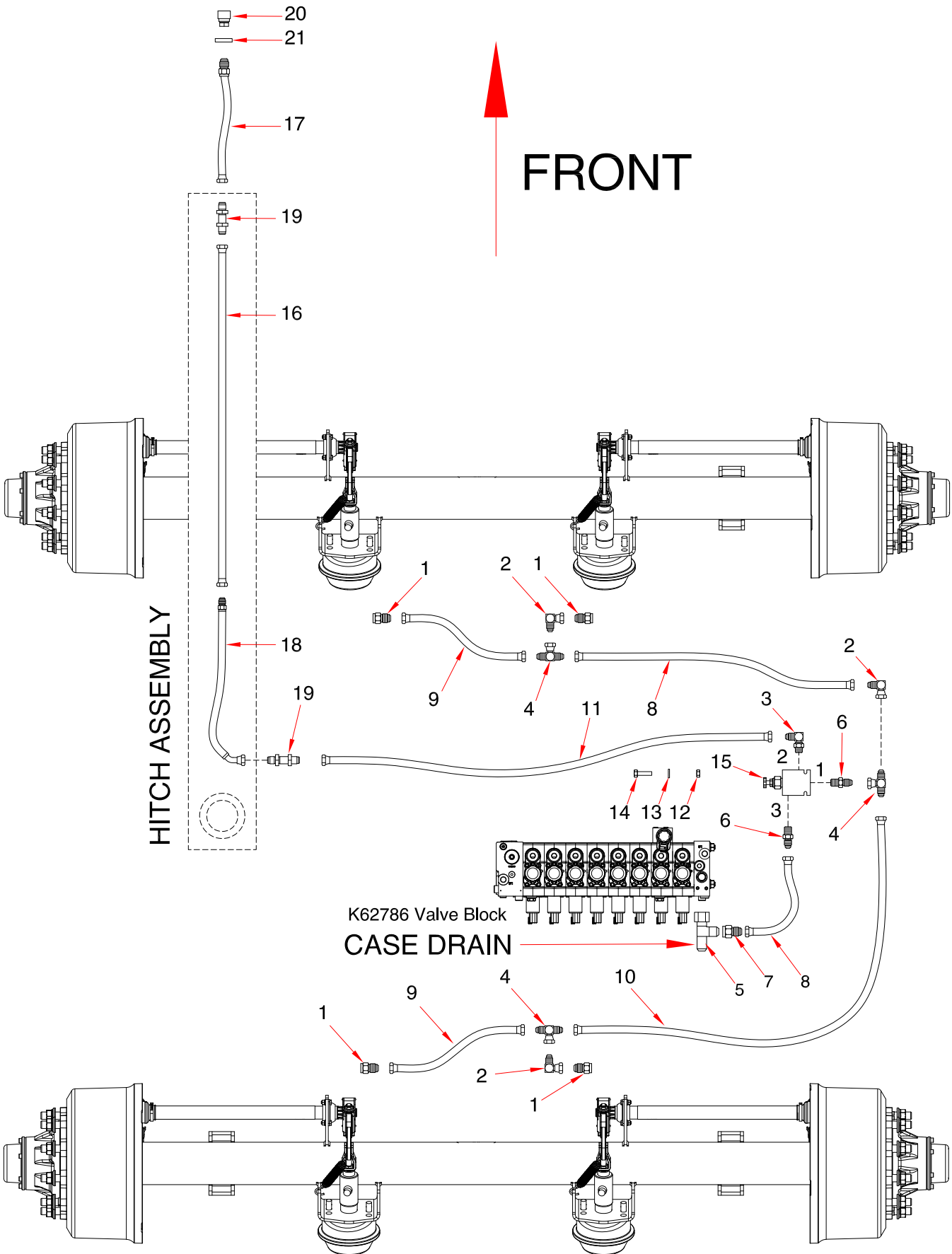
K68400 - 365-00 Spring Leaf Pack - High Arch, 3 Leaf

49" Axle Center All Positions. Hook to Rear.



Hydraulic Brake Assembly

FRONT

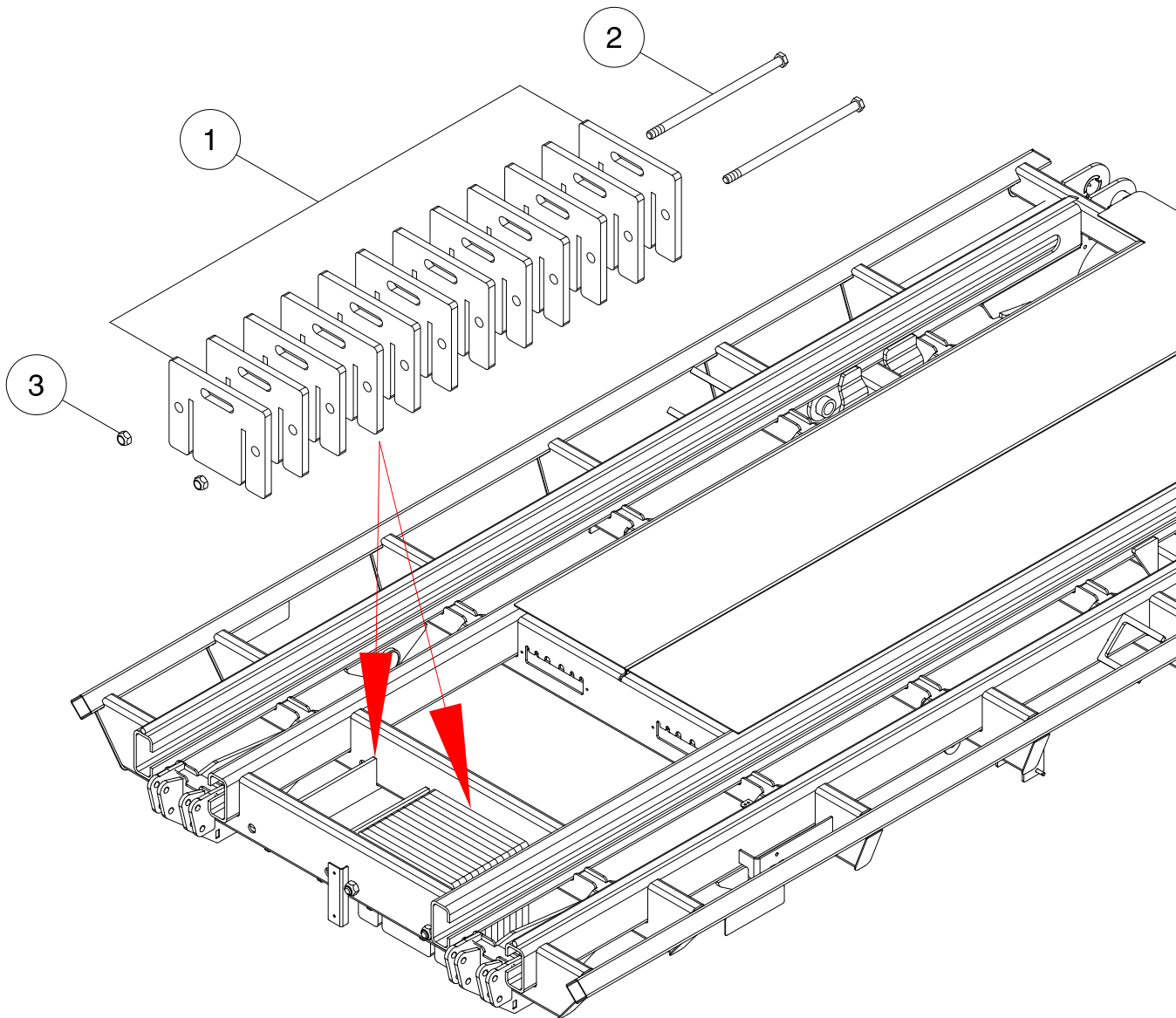


Hydraulic Brake Assembly

Item	Part No.	Description	Qty
1	K50963	Connector - 3/8 MJIC x 3/8 Female BSPP.....	4
2	S29967	Elbow - 90 - 9/16-18 MJIC x 9/16-18 FJIC swivel	3
3	C24585	Elbow - 90 - 7/8-14 MJIC x 3/4-16 MORB swivel	1
4	C14901	Tee - (2)9/16-18 MJIC x (1)9/16-18 FJIC - (M-F-M) - Swivel	3
5	H18746	Tee - (2) 7/8-14 MJIC x (1) 7/8-14 FJIC - (M-M-F) - Swivel.....	1
6	C15348	Connector - 9/16-18 MJIC x 3/4-16 MORB	2
7	F10389	Connector - 9/16-18 MJIC x 7/8-14 FJIC	1
8	C-4552	Hyd Hose - 1/4 x 24 Lg w/9/16-18 FJIC.....	2
9	K50993	Hyd Hose - 1/4 x 28 Lg w/ 9/16-18 FJIC swivel ends	2
10	C16652	Hyd Hose - 1/4 x 60 Lg w/9/16-18 FJIC Swivel Ends	1
11	K62951	Hyd Hose - 1/2 x 54 Lg w/7/8-14 (#10) FJIC x 3/4-16 (#08) FJIC	1
12	N42510	Locknut - 1/4 Centre Lock.....	2
13	S-1198	Washer - 5/16 ID x 3/4 OD x 1/16 Thick	2
14	W-1540	Hex Bolt - 1/4 x 2 Lg.....	2
15	S42307	Pressure Reducing Valve.....	1
Hitch Assembly			
16	K62753	Oil Line - 1/2 x 128 Lg - 3/4-16 (#08) FJIC ends.....	1
17	K69086	Hyd Hose - 3/8 x 72 Lg w/ M18 x 1.5 Male DIN x 9/16-18 FJIC	1
18	K69186	Hyd Hose - 1/2 x 68 1/2 Lg - 3/4-16 (#08) MJIC x 3/4-16 (#08) FJIC 45 Deg	1
19	K62123	Bulk Head Union - 3/4-16 (#08) MJIC.....	2
20	K50954	Brake Coupler - Female - 08 (1/2 inch) M18 x 1.5 Thread	1
21	K51052	Bonded Seal - 18mm Male DIN (9500-18mm).....	1

Weight Kit

Note: Install bolts from top side as illustrated to prevent interference with push-off.



Item	Part No.	Description	Qty
1	K69341	Weight	24
2	K69344	Bolt - 1 x 21 1/8 Lg.....	4
3	D-5274	Locknut - 1 Unitorque.....	4

Index

10065 1-21	C18761 1-3	K62102 1-11	K62955 1-27
10075 1-5, 1-19	C24585 1-5, 1-7, 1-26, 1-45	K62105 1-11	K62956 1-26
10180 1-7, 1-19, 1-21, 1-26	C26344 1-26	K62114 1-13	K62959 1-19, 1-23
10229 1-5, 1-17, 1-19	C26701 1-21	K62123 1-3, 1-27, 1-41, 1-45	K62971 1-26
10352 1-3, 1-9	C28505 1-27	K62124 1-3	K62972 1-26
10369 1-19	D	K62125 1-19	K62973 1-26
10436 1-7, 1-26	D-5260 1-7	K62128 1-3	K62974 1-26
10439 1-19, 1-26	D-5261 1-3, 1-19	K62131 1-3, 1-27	K62975 1-27
10440 1-19, 1-26	D-5273 1-11, 1-13, 1-23	K62134 1-3	K62976 1-26
10449 1-3, 1-7, 1-26	D-5274 1-3, 1-46,	K62138 1-3	K62977 1-26, 1-35
10604 1-19	D-5277 1-9, 1-11, 1-15, 1-21	K62140 1-3	K62978 1-26
10662 1-19	, 1-23, 1-35, 1-38	K62145 1-3	K62979 1-26
10677 1-19	D-5279 1-3	K62150 1-5	K63001 1-27
10827 1-19	D-5489 1-5, 1-17, 1-21	K62154 1-13, 1-21, 1-26	K64014 1-19
11358 1-11, 1-26	D-5498 1-3	K62160 1-13	K64022 1-17
11469 1-5	D17315 1-11	K62175 1-11, 1-15	K64032 1-17
11470 1-5	F	K62180 1-19	K64045 1-7
11505 1-5, 1-35	F-1767 1-3	K62183 1-19	K64114 1-16
11570 1-5, 1-35	F-3405 1-3, 1-7, 1-9, 1-13, 1-1	K62191 1-19	K64115 1-16
11571 1-5, 1-35	5, 1-19, 1-21	K62367 1-19	K64608 1-19, 1-21
11572 1-5, 1-35	F10389 1-41, 1-45	K62377 1-15, 1-19	K64622 1-11
11573 1-5, 1-35	H	K62378 1-13	K64625 1-11
11575 1-5, 1-35	H-4584 1-5	K62380 1-19	K64740 1-21
11576 1-23	H-4696 1-9, 1-15, 1-38	K62441 1-5	K65047 1-21
11589 1-17	H10462 1-3	K62652	K65081 1-21
11678 1-19	H18746	1-11, 1-13, 1-19, 1-23	K65090 1-5, 1-39, 1-40
12011 1-5, 1-39, 1-40, 1-42	1-21, 1-26, 1-41, 1-45	K62662 1-19	K65091 1-5, 1-39, 1-40
12013 1-5, 1-39, 1-40, 1-42	H59985 1-3	K62666 1-21	K65104 1-21
12166 1-21, 1-26	K	K62675 1-15	K65166 1-39, 1-40
12168 1-5, 1-26	K-5685 1-26	K62677 1-11	K65167 1-39, 1-40
12236 1-13	K-5703 1-5, 1-13, 1-42	K62678 1-11	K65168 1-39, 1-40
12237 1-21	K-5806 1-26	K62687 1-11	K65169 1-39, 1-40
12254 1-13, 1-21	K24004 1-3, 1-5, 1-7	K62750 1-13	K65170 1-39, 1-40
A	K24114 1-15	K62751 1-11, 1-27	K65171 1-39, 1-40
A21596 1-19, 1-23	K25798 1-3, 1-7, 1-9	K62752 1-11, 1-27	K65172 1-39, 1-40
A58726 1-15	K47303 1-19	K62753 1-3, 1-27, 1-41, 1-45	K65173 1-39, 1-40
A67400 1-17	K47304 1-19	K62754 1-3, 1-27	K65174 1-39, 1-40
C	K49088 1-3	K62760 1-9	K65175 1-39, 1-40
C-304 1-37, 1-38	K50112 1-19, 1-23	K62773 1-13	K65176 1-39, 1-40
C-1429 1-3, 1-5, 1-7	K50834 1-3, 1-27	K62777 1-15	K65177 1-39, 1-40
C-1471 1-21	K50954 1-3, 1-41, 1-45	K62786 1-7, 1-26, 1-28	K65178 1-39, 1-40
C-3919 1-19	K50963 1-45	K62869 1-7	K65184 1-9, 1-15
C-4383 1-26	K50993 1-45	K62870 1-3, 1-5, 1-9	K65695 1-5, 1-9
C-4404 1-26	K51052 1-3, 1-41, 1-45	K62902 1-3, 1-27	K65822 1-21, 1-26, 1-31
C-4468 1-26	K53404 1-23	K62903 1-27	K65825 1-35
C-4552 1-45	K53405 1-21	K62906 1-13	K66022 1-21
C14840 1-5, 1-26	K53407 1-23	K62908 1-3, 1-27	K66041 1-21
C14901 1-45	K53447 1-13	K62910 1-11, 1-15	K66050 1-23
C15309 1-26	K56777 1-39, 1-40	K62920 1-3, 1-27	K67053 1-3, 1-11
C15348 1-45	K62100 1-11	K62921 1-3, 1-27	K67054 1-9, 1-37
C16652 1-45	K62101 1-11	K62922 1-27	K67288 1-19
C17295 1-21	K	K62925 1-5	K67289 1-19
C18662 1-19	K56777 1-39, 1-40	K62951 1-41, 1-45	K67291 1-19
	K62100 1-11	K62952 1-26	K67298
	K62101 1-11	K62953 1-27	1-9, 1-15, 1-19, 1-23, 1-35
		K62954 1-26	K67300 1-15, 1-26

K67331 1-9, 1-15, 1-19, 1-21, 1-35	K68654 1-35, 1-37, 1-38	N32237 1-11	W-488 1-13, 1-21
K67364 1-23, 1-35	K68701 1-37, 1-38	N34443 1-3, 1-27	W-492 1-15, 1-19, 1-21
K67600 1-11	K68702 1-37, 1-38	N34475 1-11	W-493 1-19
K67610 1-11	K68703 1-37, 1-38	N34476 1-11, 1-17	W-494 1-15
K67616 1-9, 1-15, 1-19, 1-35	K68704 1-37, 1-38	N34477 1-11, 1-16	W-495 1-21
K67619 1-9, 1-15, 1-19, 1-35	K68705 1-37, 1-38	N34478 1-11, 1-17	W-498 1-9
K67642 1-16	K68706 1-37, 1-38	N34505 1-26	W-500 1-13
K67643 1-17, 1-35	K68707 1-37	N34644 1-7, 1-26	W-512 1-7, 1-9
K67644 1-16, 1-17, 1-35	K68708 1-37, 1-38	N36382 1-26	W-513 1-3
K67648 1-15, 1-21	K68854 1-17, 1-35	N37849 1-26	W-514 1-7, 1-9, 1-15, 1-19, 1-35
K67720 1-11	K68960 1-11	N37914 1-3, 1-27	W-516 1-5
K67725 1-9, 1-37, 1-38	K69086 1-3, 1-41, 1-45	N37915 1-3, 1-27	W-517 1-9
K67726 1-15, 1-37	K69164 1-5	N40748 1-3	W-518 1-13, 1-19, 1-23
K67727 1-21, 1-37	K69165 1-5	N42510 1-45	W-519 1-23
K67799 1-3	K69166 1-5, 1-16, 1-17	N45212 1-26	W-521 1-7, 1-9
K67870 1-3	K69167 1-5, 1-16, 1-17	N47903 1-26	W-522 1-3
K67886 1-15	K69168 1-17	N50367 1-35	W-523 1-7, 1-9, 1-15, 1-19, 1-21, 1-35
K67921 1-27	K69169 1-16, 1-17	N51990 1-26	W-524 1-7
K67922 1-27	K69170 1-17	N58616 1-26	W-525 1-5, 1-19, 1-23
K67923 1-27	K69182 1-19	N58621 1-26	W-527 1-19, 1-23
K67924 1-27	K69183 1-21	N64583 1-27	W-535 1-3
K67941 1-9, 1-15, 1-37, 1-38	K69185 1-3, 1-27	P	W-538 1-19
K67996 1-17, 1-35	K69186 1-3, 1-41, 1-45	P1314876 1-11	W-539 1-19
K67997 1-16, 1-35	K69187 1-3, 1-27	S	W-542 1-9, 1-15, 1-19, 1-35
K68297 1-5, 1-39	K69188 1-26	S-751 1-13	W-619 1-9, 1-15, 1-19, 1-35
K68298 1-5, 1-40	K69189 1-26	S-1191 1-13, 1-23	W-793 1-9
K68300 1-7, 1-26, 1-29	K69331 1-13, 1-21, 1-26	S-1197 1-21	W-1540 1-41, 1-45
K68302 1-16, 1-17	K69333 1-9, 1-15, 1-19, 1-23, 1-35	S-1198 1-23, 1-41, 1-45	W-1552 1-3, 1-23, 1-35
K68389 1-5, 1-39, 1-40, 1-42	K69334 1-7	S-1199 1-9, 1-15	W-1854 1-15
K68394 1-5, 1-42	K69341 1-46	S-1201 1-7	W14504 1-21
K68400 1-5, 1-42	K69344 1-46	S29967 1-45	
K68401 1-5, 1-42	K69457 1-35	S32590 1-19	
K68402 1-5, 1-42	K69472 1-35	S39487 1-3	
K68403 1-5, 1-42	K69668 1-9	S39505 1-26	
K68404 1-5, 1-42	K69670 1-9, 1-35	S39648 1-13	
K68405 1-5	K69671 1-9, 1-35	S42307 1-41, 1-45	
K68411 1-11	K69709 1-37	S44353 1-27	
K68412 1-5, 1-42	K69710 1-37	S45280 1-9	
K68413 1-42	M	S64947 1-39, 1-40	
K68538 1-16, 1-17, 1-35	M-3388	S65740 1-3	
K68539 1-23	1-3, 1-5, 1-7, 1-9, 1-15, 1-23	S66236 1-3	
K68541 1-23	N	S67388 1-3	
K68542 1-21	N13968 1-39, 1-40	T	
K68543 1-23	N15990 1-26	T-5266 1-5	
K68544 1-23	N16304	T-5268 1-21	
K68624 1-35	1-9, 1-15, 1-19, 1-23, 1-35	W	
K68625 1-35	N16916 1-26	W-63 1-11	
K68626 1-35	N19336 1-26	W-131 1-3	
K68627 1-7, 1-26, 1-30	N19337 1-26	W-187 1-9	
K68637 1-7, 1-37	N19338 1-26	W-469 1-11	
K68638 1-37, 1-38	N19549 1-26	W-475 1-7, 1-21	
K68641 1-7, 1-37, 1-38	N19678 1-3	W-476 1-13, 1-23	
K68646 1-9, 1-15, 1-19, 1-35	N21728 1-15	W-477 1-5, 1-17	
K68647 1-37	N29358 1-26	W-478 1-7	
K68651 1-37	N32079 1-9, 1-15, 1-19, 1-35		
K68652 1-17			
K68653 1-17			

--	--	--	--



CORPORATE OFFICE & TRAINING CENTER
2131 Airport Drive, Saskatoon, SK Canada S7L 7E1
Tel: 306-933-8585 Fax: 306-933-8626
U.S.A. Toll-Free: 866-663-8515
www.morris-industries.com/proag
Questions? email: info@morris-industries.com

It is the policy of PROAG to improve its products whenever it is possible to do so.
PROAG reserves the right to make changes or add improvements at any time without
incurring any obligation to make such changes on machines sold previously.