

# **Gason**

## **SCARITILL AND HYDRATILL**

*Australia's greatest range of tillage  
and seeding equipment*



[www.gason.com.au](http://www.gason.com.au)



# THE GASON STORY

In February 1946 Frank Gason founded a small, family owned and operated motor trimming business at Ararat in Western Victoria.

Many innovative products were developed and in 1958 the company was asked to build a cabin for a Minneapolis Moline GTA (Twin City) tractor. Frank and his staff did so with their usual thoroughness creating a standard for Gason agricultural equipment that continues to this day.

It was the first of many tens of thousands of cabins produced over the following 40 years that carried the Gason name onto farms in every corner of Australia.

By the mid-1970s Gason tractor, header and industrial equipment cabins became 'the standard' and were fitted as original equipment in tractor company plants across Australia. Major international tractor manufacturers such as International, Caterpillar and John Deere joined their Australian counterparts in making Gason Cabs their standard.

During the 1980's Gason helped pioneer an Australian Standard for roll-over protective structures (ROPS) for tractors and established a NATA approved test facility at the factory. Gason ROPS were the first to be approved by the Standards Association of Australia.

As international tractor manufacturers imported tractors into Australia with cabins fitted the company moved towards developing its roots in agriculture and designed and manufactured cultivation equipment and air seeders that were suited to our unique Australian conditions.

Today, Gason are continuing their research into new and innovative products. They work in collaboration with engineers, farmers and farm innovation groups from throughout Australia to find products which can assist farmers increase productivity and therefore become more profitable.

The range of HydraTILL and ScariTILL models is extensive. In all more than 38 models are available and in-built into each is Gason's reputation for renowned for reliability and longevity.

The company celebrates 70 years of business in 2016. The third generation of Gasons are now working in the business as part of a strong management team continuing with Frank's guiding principles that made the company synonymous with quality - 'If you built it well, it will last'.



# **SPECIFY A MACHINE TO SUIT YOUR FARMING CONDITIONS**

***Versatility, dependability and longevity are among the great benefits you obtain when you choose Gason tillage and planting equipment.***

The extensive range of Gason tined implements offers farmers the opportunity to specify a machine best suited to their country, crop and conditions.

HydraTILL and ScariTILL offers 38 individual models with widths from 6m (19'7") to 14.8m (48'6") and a choice of row spacings including 178mm, 200mm, 229mm, 250mm and 333mm, depending on model. The full list of configurations and options is shown on pages 14 and 15.

You choose either HydraTILL or ScariTILL and then choose a width to suit your tractor and conditions. Many machines offer a choice of floating hitch or rigid pull.

Both shanks and ground tools are easily changed in the field providing further versatility and allowing you to switch between conventional till and zero/minimum till.

Both HydraTILL and ScariTILL models utilise the same frame and you choose between spring tines with 400 or 540 lbs breakout force, or hydraulic tines with up to 680 lbs breakout force.



**HYDRATILL AND SCARITILL**

## **ScariTILL**

- conventional working with sweeps
- minimum till or no till with knife points
- controlled traffic - 2 or 3m
- accommodates mounted press wheels for spacings 250mm up

## **HydraTILL**

- conventional working with sweeps
- minimum till or no till with knife points
- controlled traffic - 2m or 3m
- hydraulic breakout with soft recoil
- accommodates mounted press wheels for spacings 250mm up

# YOUR CHOICE - HYDRATILL OR SCARITILL

ScariTILL offers standard spring release tines with two optional breakout forces, 400lbs or 540lbs.

HydraTILL's hydraulic release mechanism provides variable adjustment, up to 680lbs breakout force and a soft return mechanism.

Tine assembly towers on both HydraTILL and ScariTILL models are mounted above the toolbar for maximum trash clearance and assisting with trash flow.

Choose from four types of shanks, all with simple depth adjustment via holes in both the tine and holder. The individual tine adjustment allows tines to be positioned lower behind the tractor wheels to maintain a constant sowing depth and depth can be varied across the frame to follow the contour for raised beds.

Spearpoint shanks are available with male or female adaptors. Double bolt shanks are available with either 47° or 50° forged feet.



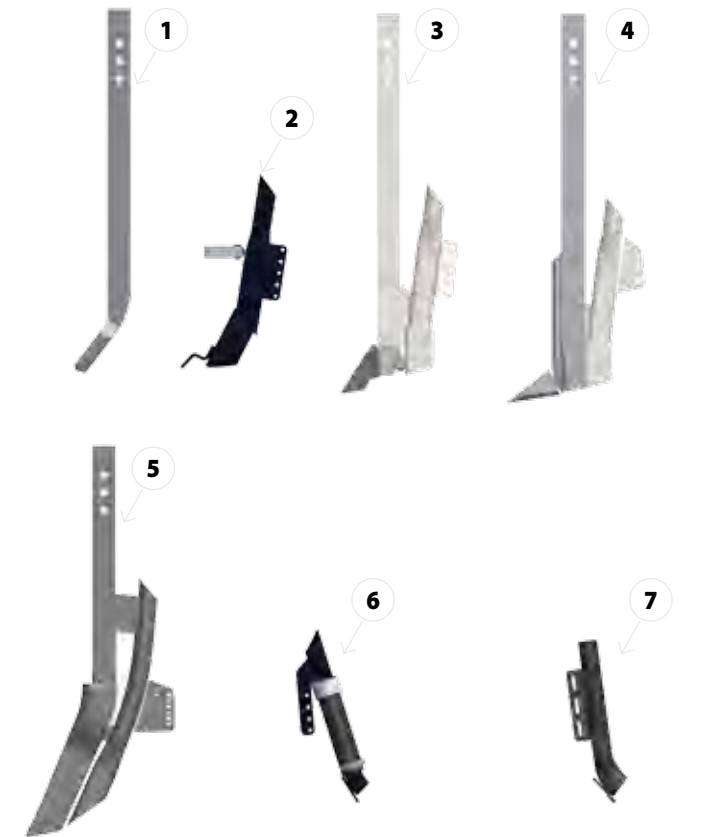
Depth adjustment in 12 mm increments.



**ScariTILL**

**HydraTILL**

## Tine options



- 1. 47 & 50 degree Double Bolt
- 2. Single Sowing Boot assembly
- 3. Knifepoint Female - Single Sowing Boot & Adaptor

- 4. Spearpoint male - Single Sowing Boot & Adaptor
- 5. Gason Knifepoint - Single Sowing Boot & Adaptor

- 6. Secondary Rubber Sowing Boot Assembly
- 7. Secondary Steel Sowing Boot Assembly

## Press Wheel Options

55mm Wedge Solid, 55mm Flat Solid, 70mm Wedge Solid, 80mm Wedge Solid, 90mm Round Solid., 55mm Wedge Semi-Pneumatic, 55mm Flat Semi-Pneumatic, 55mm Dome Semi-Pneumatic, 75 mm Round Semi-Pneumatic, 80mm Wedge Semi-Pneumatic, 100mm Flat Semi-Pneumatic, 110mm Wedge Semi-Pneumatic.

Mudscrapers and Sowing Boot Kits are also available.

*Both ScariTILL and HydraTILL tillage planters are available in cutting widths from 6.0 m (19'7") to 14.8 m (48'6")*

*Transport widths vary from 4.8 m (15'8") to a maximum of 7.7 m (25'3")*



# THE ANATOMY OF HYDRATILL AND SCARITILL TINES

## ScariTILL spring release

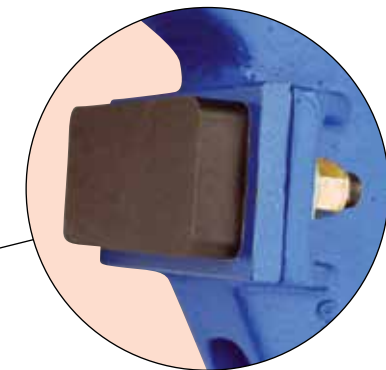
- available with either 400 lbs or 540 lbs breakout force
- maximum jump of 350 mm (spearpoint shanks at 760 mm underframe clearance)

## HydraTILL hydraulic release

- accumulator pre-charge pressures 300 – 680 lbs
- variable adjustment within the ranges
- maximum jump of 350 mm (spearpoint shanks at 760 mm underframe clearance)
- remote mounted pressure gauge
- double chrome plating on cylinder rods with double seals and back up wiper for improved corrosion protection
- solid ram shaft eliminates flexing and reduces seal wear



- large dimension hardened steel bushes and pivot pins with Molycoating for corrosion and seizure protection
- two piece stepped outer primary pivot bushes provide a grease reservoir
- inner bush has a spiral groove to transfer grease along the entire length of the bearing surface

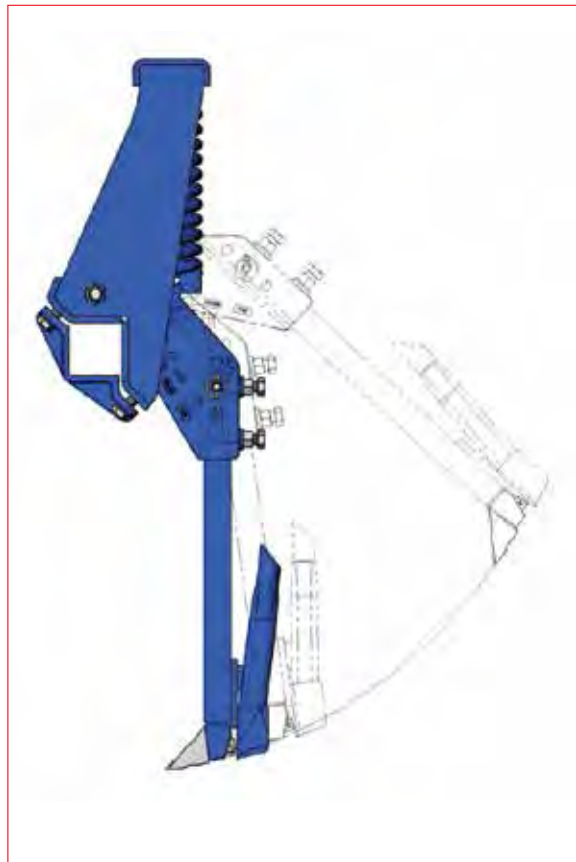


Spring tines are fitted with polyurethane shock pads to absorb recoil loads, reducing metal fatigue.

Holes in pivot assembly and tines allow vertical adjustment in 12 mm increments and easy changeover of shanks.

### **Depth control breakout geometry**

Gason tine release geometry maintains a more constant sowing depth because of the relationship between the pivot point and ground tool. Tines tend to move horizontally rearwards before rising.



### **Exceptional trash clearance**

Gason tillage planter bars provide exceptional trash clearance with clean underframe design - up to 760 mm maximum underframe clearance

- no tine towers below the frame
- no springs below the frame
- five row frame with minimum 800 mm between rows
- total depth of frame 3.8 metres



*Trash clearance is exceptional with straight edge on tines, a clean underframe and minimum 800 mm between rows.*



**Double shooting setup with height adjustable seed boot behind. Tine mounted boot places fertiliser at depth with seed above.**





## PRESS WHEELS

Press wheels are available for HydraTILL and ScariTILL for row spacings above 250mm. These can help to create excellent soil to seed contact which can improve germination and better utilisation of soil moisture, especially in drier conditions.

### Features:

- greasable, hardened bushes in all pivot points
- variable height settings for large range of underframe clearances
- variable wheel pressure via adjustable spring
- wide range of wheels available
- can be stored in a pin-up position if not in use - no tools required
- uses Manutec integral hub with seal guard
- arm pivot allows self-alignment when turning

Frame mounted press wheels are an excellent option in tougher conditions because they maintain their position independently of the tines. Sowing boots can be mounted on the press wheels for better seed depth control.

### Scrapers

Optional scrapers with tungsten tiles are available to reduce soil buildup in sticky conditions.



*Optional seeding boot attached to press wheel provides better seed depth control. Mud scraper optional.*

## RIGID PULL OR FLOATING HITCH

Both ScariTILL and HydraTILL come with the choice of either rigid pull or a floating hitch. Each has its advantages depending on your conditions. All hitches are fitted with mechanical parking jacks, safety tow chains and replaceable hitch pin bush.



### Floating hitch

Floating hitch is the ideal choice for uneven ground. It is hinged at the frame attach points. The entire weight of the machine is carried on two rows of wheels (in frame and out front) allowing it to closely follow contours regardless of the tractor's position.

Frame attach pivots use replaceable bushes.



### Rigid pull

Rigid Pull is often a better choice where paddocks are fairly flat because considerable weight is transferred to the tractor drawbar improving traction. Horsepower requirements are usually lower. The hitch tongue is adjustable to cater for different drawbar heights and working depths.

Hydraulic hitch height adjustment available on rigid pull models - refer to options.



## CONTROLLED TRAFFIC

Controlled traffic farming reduces soil compaction. In some conditions it may also reduce draft and could reduce tractor fuel consumption.

Both ScariTILL and HydraTILL are available in controlled traffic versions with wheel spacings of 2 m & 3 m



## WHEELS

### Large singles

Standard on all controlled traffic models or by request on some models.



**Walking wheels** are excellent at following contours and maintaining an even seed depth. They are especially suited to rocky conditions. Walking beam wheels can assist with depth variation.





## HARDENED HINGE

Heavy duty hardened and Molycoated pins and bushes minimise wear and maintain wing hinge alignment.

Grease nipples are fitted in pin ends for easy accessibility. Grooves machined into the pins also help grease distribution.



## DURABLE, PRECISE HYDRAULICS

Gason fits only the best quality hydraulic components for precise control and reduced maintenance.

- PTE depth control phasing cylinders, heavy rod type with mechanical depth stops fitted to master cylinders
- relief valve fitted to a depth control circuits to protect cylinders from excessive loads (circuit pressure limited to 1500psi)
- double braid non-skive hoses (1/2" bore on depth control circuit)
- dual pilot check valves on depth control circuit isolates tractor hydraulics and prevents creeping
- in-line restrictors in both wing fold and depth control circuits for safety
- hydraulically fold wings from the tractor – no locking pins to remove

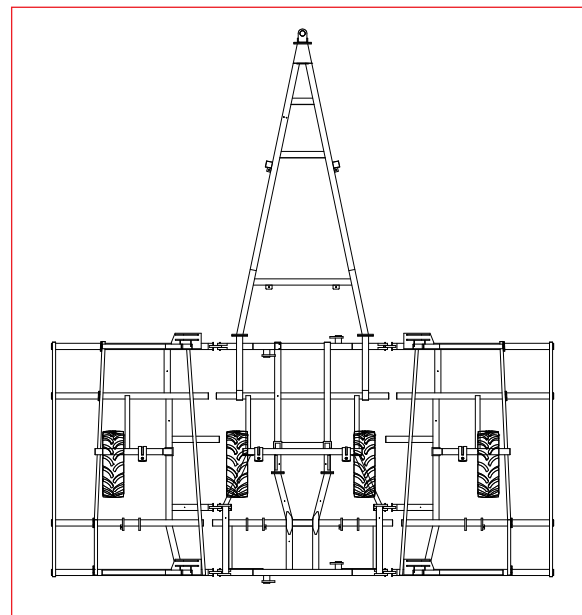


## **EASY FOLDING**

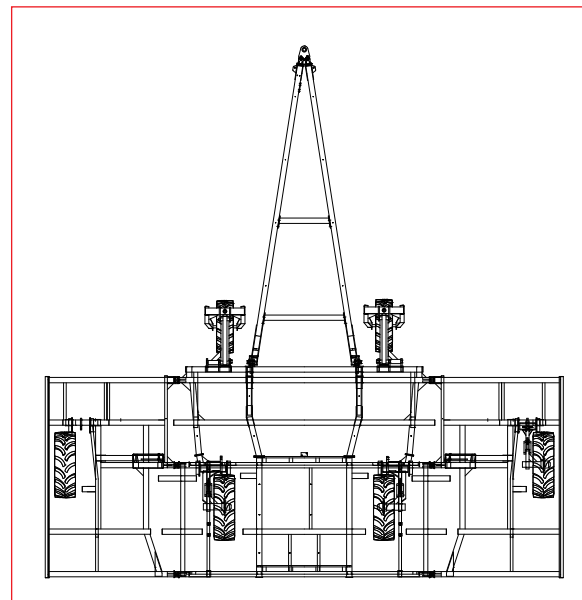
*Wings can be folded up from the tractor seat.  
No pins to remove.*



**Controlled  
traffic row  
crop 2 m**

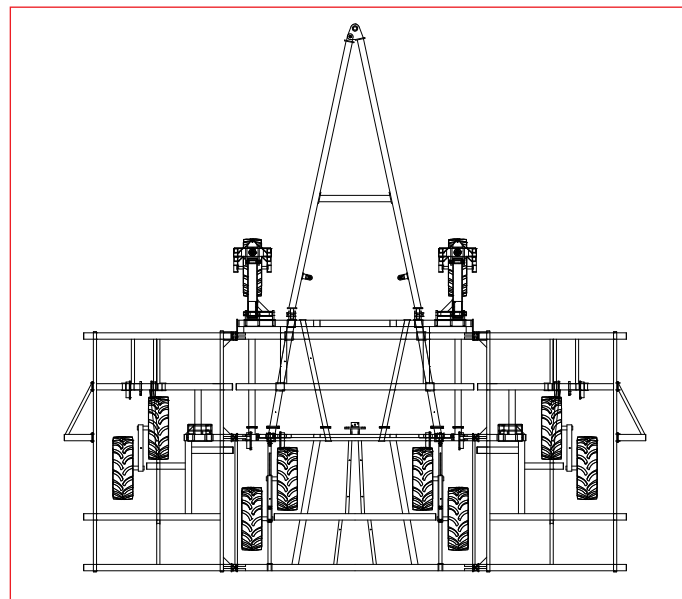


**Controlled  
traffic  
(medium)  
row crop 3 m**



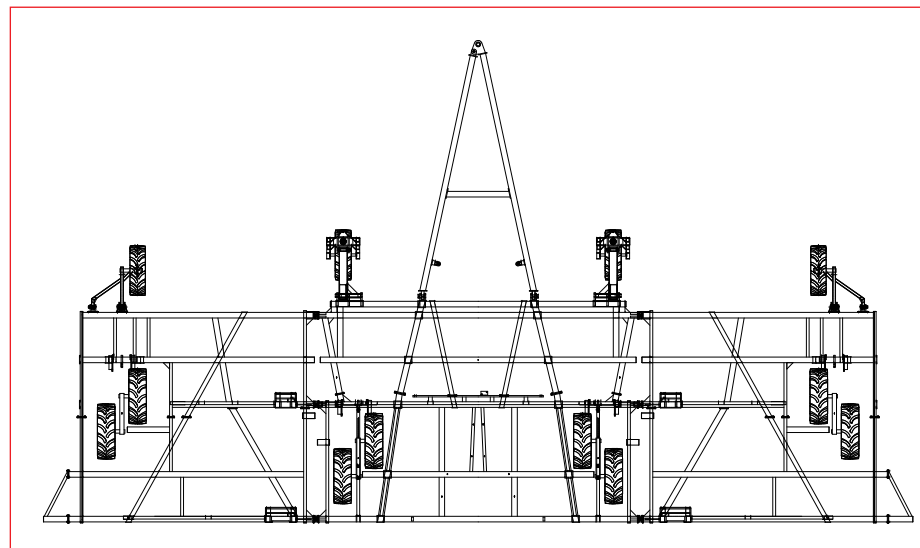
## FRAME COMBINATIONS TO SUIT MOST APPLICATIONS.

Frame layouts are based on narrow, medium and wide centre sections with various wing options in single and double fold. Controlled traffic versions are available in 2 m & 3 m.



**Narrow**

**Wide - Single Fold**





## ScariTILL and HydraTILL - Narrow broadacre applications

Model	Transport				Wing Width		Width of cut		Single Wheel	Walking Wheels	Rigid Pull	Floating Hitch	Hydraulic Hitch Leveller	Stabiliser Wheels	Tine Break-out Option (540lb & spring tines only)	Frame Mounted Presswheels
	Width		Height													
	m	ft	m	ft	m	ft	m	ft								
S/HN31-250	5.72	18.8	3.65	12	2.4	7.9	7.5	24.6	-	s	s	o	o	o	o	o
S/HN39-200	5.72	18.8	3.65	12	2.4	7.9	7.6	24.9	-	s	s	o	o	o	o	-
S/HN33-250	5.72	18.8	3.74	12.2	2.4	7.9	8.0	26.2	-	s	s	o	o	o	o	o
S/HN41-200	5.72	18.8	3.74	12.2	2.4	7.9	8.0	26.2	-	s	s	o	o	o	o	-
S/HN43-200	5.72	18.8	3.93	12.9	2.4	7.9	8.4	27.6	-	s	s	o	o	o	o	-
S/HN35-250	5.72	18.8	3.98	13.1	2.4	7.9	8.5	27.9	-	s	s	o	o	o	o	o
S/HN45-200	5.72	18.8	4.13	13.5	2.4	7.9	8.8	28.9	-	s	s	o	o	o	o	-
S/HN39-250	5.72	18.8	3.65	12	2.4	7.9	9.5	31.2	-	s	s	o	o	o	o	o
S/HN39-250	5.72	18.8	4.62	15.2	3.4	11.2	9.5	31.2	-	s	s	o	o	o	o	o
S/HN41-250	5.72	18.8	4.71	15.5	3.4	11.2	10.0	32.8	-	s	s	o	o	o	o	o
S/HN51-200	5.72	18.8	4.62	15.2	3.4	11.2	10.0	32.8	-	s	s	o	o	o	o	-
S/HN53-200	5.72	18.8	4.91	16.1	3.4	11.2	10.4	34.1	-	s	s	o	o	o	o	-
S/HN43-250	5.72	18.8	4.96	16.3	3.4	11.2	10.5	34.4	-	s	s	o	o	o	o	o
S/HN55-200	5.72	18.8	5.1	16.7	3.4	11.2	10.8	35.4	-	s	s	o	o	o	o	-
S/HN49-250	5.72	18.8	5.69	18.7	4.4	14.4	12.0	39.4	-	s	s	o	o	s	-	-
S/HN61-200	5.72	18.8	5.69	18.7	4.4	14.4	12.0	39.4	-	s	s	o	o	s	-	-

S/HN31-250 denotes ScariTILL or HydraTILL, narrow centre frame with 31 tines at 250 mm spacing.

## ScariTILL and HydraTILL - Medium broadacre applications

S/HM33-333	6.6	21.7	4.6	15.1	3.4	11.2	10.7	35.0	-	s	s	o	o	o	-	o
S/HM47-250	6.7	22	4.9	16.1	3.4	11.2	11.5	37.7	-	s	s	o	o	o	-	o
S/HM51-250	6.62	21.7	5.44	17.8	4.1	13.5	12.5	41.0	-	s	s	o	o	s	o	o
S/HM39-333	6.65	21.8	5.52	18.1	4.1	13.5	12.7	41.6	-	s	s	o	o	s	-	o

S/HM33-333 denotes ScariTILL or HydraTILL, medium centre frame with 33 tines at 333 mm spacing.

## ScariTILL and HydraTILL - Wide broadacre applications

S/HW59-250	7.72	25.3	5.94	19.5	4.4	14.4	14.5	47.6	-	s	s	o	o	-	o	o
S/HW75-200	7.72	25.3	6.08	19.9	4.4	14.4	14.8	48.6	-	s	s	o	o	-	o	-

S/HW59-250 denotes ScariTILL or HydraTILL, wide centre frame with 59 tines at 250 mm spacing.

**ScariTILL and HydraTILL - Controlled Traffic**

Model	Transport				Wing Width		Width of cut		Single Wheel	WalkingWheels	Rigid Pull	Floating Hitch	Hydraulic Hitch Leveller	2m/ 3m	Stabiliser Wheels	Tine Breakout Option (540lbf & spring tines only)	Frame Mounted Presswheels
	Width		Height														
	m	ft	m	ft	m	ft	m	ft									
S/HC2-19-333	4.8	15.8	3.62	11.9	1.9	6.2	6.0	19.7	s	-	s	-	o	2m	-	-	-
S/HC2-29-229	4.76	15.6	3.62	11.9	1.9	6.2	6.4	21.0	s	-	s	-	o	2m	-	-	-
S/HC2-37-178	4.8	15.8	3.62	11.9	1.9	6.2	6.4	21.0	s	-	s	-	o	2m	-	-	-
S/HC2-27-250	4.8	15.8	3.62	11.9	1.9	6.2	6.5	21.3	s	-	s	-	o	2m	-	-	o
S/HC2-23-333	4.8	15.8	4.1	13.5	2.5	8.2	7.3	24.1	s	-	s	-	o	2m	-	-	o
S/HC2-35-229	4.76	15.6	4.3	14.1	2.5	8.2	7.8	25.5	s	-	s	-	o	2m	-	-	-
S/HC2-45-178	4.8	15.8	4.32	14.2	2.5	8.2	7.8	25.7	s	-	s	-	o	2m	-	-	-
S/HC2-33-250	4.8	15.8	4.2	13.8	2.5	8.2	8.0	26.2	s	-	s	-	o	2m	-	-	o
S/HC3-27-333	6.6	21.7	3.6	12.1	2.5	8.2	8.7	28.4	s	-	-	s	-	3m	o	o	-
S/HC3-36-250	6.62	21.7	3.7	12.1	2.5	8.2	8.8	28.9	s	-	-	s	-	3m	o	o	-
S/HC3-28-333	6.6	21.7	3.94	12.9	2.5	8.2	9.3	30.6	s	-	-	s	-	3m	o	o	o
S/HC3-37-250	6.62	21.7	3.94	12.9	2.5	8.2	9.0	29.5	s	-	-	s	-	3m	o	o	o
S/HC3-36-333	6.6	21.7	5	16.4	4.0	13.1	11.7	38.3	s	-	-	s	-	3m	s	o	o
S/HC3-48-250	6.62	21.7	5	16.4	4.0	13.1	11.8	38.5	s	-	-	s	-	3m	s	-	o
S/HC3-37-333	6.6	21.7	5.17	17	4.0	13.1	12.0	39.4	s	-	-	s	-	3m	s	o	o
S/HC3-49-250	6.62	21.7	5.17	17	4.0	13.1	12.0	39.4	s	-	-	s	-	3m	s	o	o

S/HC2-19-333 denotes 2 m Controlled Traffic ScariTILL or HydraTILL with centre frame wheels at 2 m centres with 19 tines at 333 mm spacing.

**LEGEND**

- Not Available
- Optional Equipment
- s Standard Equipment



*If you're seriously into cropping and want  
a machine that will serve you well for  
many years to come, look to Gason.*

*If you think we're proudly Australian ...  
you'd be right!*



For more information, see your nearest Gason Dealer or contact

A.F. GASON PTY. LTD.

Blake Street Ararat, Victoria 3377 Australia

Tel. 03 5352 2151 Fax. 03 5352 4695 Email. [sales@gason.com.au](mailto:sales@gason.com.au)

[www.gason.com.au](http://www.gason.com.au)

A.F. Gason Pty Ltd reserves the right to change specifications without notice. All specifications are correct at 28/1/15.

A.F. Gason Pty Ltd ABN 31004667556