

Gason

Para-Maxx*
150 Series

Para-Maxx*
100 Series

Hydra-Maxx
100 Series

Scari-Maxx
100 Series

PLANTER & TOOLBAR EQUIPMENT

*The new generation of
tillage and seeding equipment
from Australia's leading
farm machinery manufacturer*



** Patent pending*

www.gason.com.au

GASON

A.F. GASON - A TRUE AUSTRALIAN COMPANY BORN AND BRED

In February 1946 Frank Gason founded a small, family owned and operated motor trimming business at Ararat in Western Victoria.

Many innovative products were developed and in 1958 the company was asked to build a cabin for a Minneapolis Moline GTA (Twin City) tractor. Frank and his staff did so with their usual thoroughness creating a standard for Gason agricultural equipment that continues to this day.

It was the first of many tens of thousands of cabins produced over the following 40 years that carried the Gason name onto farms in every corner of Australia.

By the mid-1970s Gason tractor, header and industrial equipment cabins became 'the standard' and were fitted as original equipment in tractor company plants across Australia. Major international tractor manufacturers such as International, Caterpillar and John Deere joined their Australian counterparts in making Gason Cabs their standard.

During the 1980's Gason helped pioneer an Australian Standard for roll-over protective structures (ROPS) for tractors and established a NATA approved test facility at the factory. Gason ROPS were the first to be approved by the Standards Association of Australia.

As international tractor manufacturers imported tractors into Australia with cabins fitted the company moved towards developing its roots in agriculture and designed and manufactured cultivation equipment and air seeders that were suited to our unique Australian conditions.

Today, Gason are continuing their research into new and innovative products. They work in collaboration with engineers, farmers and farm innovation groups from throughout Australia to find products which can assist farmers increase productivity and therefore become more profitable.

One result of that extensive research and development is the 150 Series and 100 Series Tillage and Seeding Equipment which is at the forefront of farming technology. Both these machines combine many features which are unique such as the patented Para-Maxx* Parallelograms which gives the operator independent pressure adjustment to the tine and coulter from the tractor seat.

After 67 years, the third generation of Gasons are now working in the business as part of a strong management team continuing with Frank's guiding principles that made the company synonymous with quality - 'If you built it well, it will last'.



THE STORY OF THE GASON 150 SERIES AND 100 SERIES PLANTERS AND TOOLBARS

The Gason 150 Series planter and toolbar was conceived in 2004 at Moree in northern New South Wales. Contractors and many farmers required a strong dependable parallelogram planter and toolbar which could take the tough and demanding farming conditions. They also wanted a multi-purpose toolbar that could be used for primary or conventional cultivation as well as planting. It also had to be adaptable so it could be fitted with a variety of points and if required, sowing discs.

Importantly, it also had to have infinite independent depth control of both the coulter and tine so they could plant into the moisture zone which is so critical to obtaining optimum seed germination and this adjustment had to be done from the tractor seat.

To design within these parameters was a big ask. The only parallelogram planters available at the

time did not have independent hydraulic control of the pressure on the tine and the counter which was adjustable from the tractor so making even a minor adjustment to the pressure to the coulter meant the operator had to leave the tractor and individually adjust each sowing point with a spanner. This could mean up to 90 individual adjustments over a 60ft machine which made planting time a very longer and arduous task.

The first designs were drawn in 2004 and the first unit built shortly after. It was extensively paddock tested in a wide variety of soils types throughout the eastern states of Australia and it was apparent right from the start that the new Para-Maxx* 150 Series met all the design criteria. It proved itself to be very tough, reliable and extremely efficient, accurately placing seed at an even depth into the moisture zone. It was also able to 'chase the moisture', planting at depth, so farmers could

extend their planting time as moisture went away during planting.

The 150 Series proved popular with farmers and agronomists throughout the eastern states and following many on farm discussions in 2010 Gason commenced designing the Para-Maxx* 100 Series. The 100 Series was designed to meet the requirements of farmers who wanted the features of the Para-Maxx* 150 Series but did not require its massive frame and weight. The first 100 Series was manufactured in 2011 and it was thoroughly tested throughout the eastern states in many soil types in a wide variety of conditions and crops. It handled a wide variety of soil conditions - from rocky country to deep self mulching soils and after passing all the tests farmers and engineers could throw at it, was introduced onto the market for the 2012 season.

Gason's 150 and 100 Series Planters and Toolbars

are now used by farmers from throughout Australia. From the semi-tropics of Queensland to the rich Darling Downs, all the way through to the prime grain growing areas of NSW and Victoria, South Australia and the wheatbelt of Western Australia, they are used for primary working to planting and used for almost all crops - from canola to oats, wheat and barley to beans in soils varying from heavy black to light sandy loam.

The Gason 150 and 100 Series continues the tradition started more than 60 years ago by the Gason family - manufacturing Australian designed farming equipment of exceptional quality to specifically cater for our tough Australian farming conditions.

Gason - giving you the farming power to grow the very best, in the best farming country in the world.





GASON PARA-MAXX* 150 SERIES

12m (40ft) and 18m (60ft) Models

The Gason Para-Maxx* 150 Series Planter and Toolbar introduces a new era of farming in Australia.

Since the introduction of the parallelogram planter unit, farmers have been plagued with the inability to adjust coulter pressures and tine pressures individually and instantly as the soil and moisture conditions change in a paddock. With the introduction of the Gason 150 Series all that changed. Making pressure adjustments on the Gason 150 Series is easy, simple and fast - it's all done at the flick of the hydraulic controls

from the tractor seat. Both coulter and tine pressures can be adjusted independently so one does not rely upon the other. You don't have to leave the seat to make even the smallest adjustment to either the coulter or the tine pressure.

Look at a Gason Para-Maxx* 150 Series and you can see the quality of the build. The workmanship is superb - from steel, welds to the paint finish, it's quality built into the machine from the start. The Gason Para-Maxx* 150 will take Australia's toughest farming conditions because it's made for our country and designed to be virtually 'maintenance free'.

The 150 Series Para-Maxx* also has great moisture seeking capabilities - you can sow down as far as 300mm in suitable soil types and conditions. This ability to 'chase moisture' quickly and efficiently is invaluable. As you know, planting can start off quite wet after rain but can quickly turn to dry conditions as seeding continues and could end up with the top quite dry but moisture down deeper. Gason Para-Maxx* gives you the ability to match sowing depth to the soil moisture profile giving the seed the best chance to maintain an even germination across the paddock. A fast, efficient and even planting is what every progressive farmer strives to achieve and the Gason Para-Maxx* 150 Series helps achieve these goals.

A Gason Para-Maxx* 150 Series Planter and Toolbar can be used for a variety of applications including:

Direct Drilling - One pass sowing with wide or full-cut points for some soil disturbance.

Minimum-Till - Sowing aimed at minimising soil disturbance and retaining crop residues.

No-Till - One pass sowing using narrow points or double disc openers for minimal soils disturbance.



Darryl Carrigan, Farmer and contractor, Moree, NSW

"We're onto our third Para-Maxx* 150 and we could not be happier with the results we're getting".

"The country we farm has a wide range of soil types, sometimes many within one paddock. The different soils can mean that the sowing depth and coulter pressure will require some adjustment as we plant into the moisture zone. The machinery we had before the Para-Maxx* did not allow our operators to adjust the depth and coulter pressures quickly and easily. They had to get off the tractor and adjust each sowing point individually. This could mean up to 90 changes on a big rig and simply, it was too time consuming and far too costly so we planted 'on the average'. That's not good enough. The cost of inputs are so high you have to make every post a winner and get the seed placed just right and get good germination. The Gason Para-Maxx* has individual pressure adjustment on both the coulter and tine gives us adjustment to either or both from the tractor seat, on the run. It's just a great machine and that's why we've got our third Para-Maxx* 150. We could not be happier".

GASON PARA-MAXX* 150 SERIES

The Gason Para-Maxx* 150 Series comes fitted with the unique and patented Gason Para-Maxx* Parallelogram Row Units. These are specifically designed to take the tough going in heavy back and grey soils. The Gason 150 Series Parallelograms incorporate a Drum Coulters to 'cut a path' through stubble, pasture or hard pan and they maintain sowing depth. A heavy duty tine is also fitted which has pressure adjustment. A press wheel completes the unit to assist contact between soil and seed to help germination. The patented Gason Parallelogram row units incorporating individual pressure adjustment to the tine and the coulters. Adjustment is done 'on the run' from the tractor seat, to match soil and moisture conditions across a paddock.

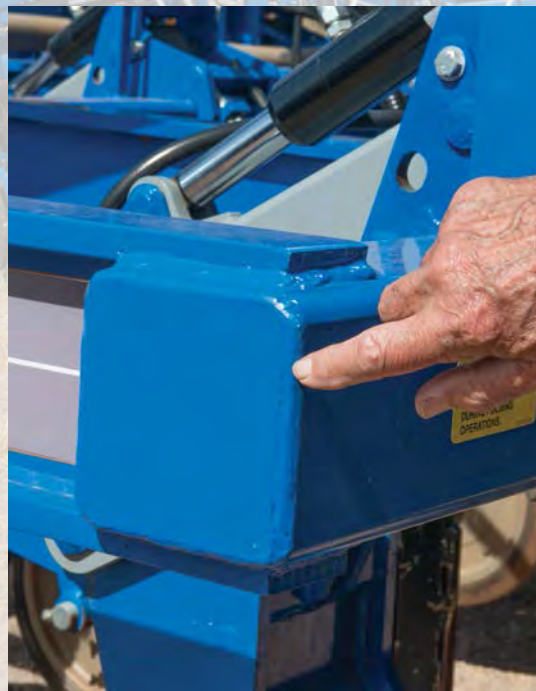
Frame

The 3 row frame of the Gason Para-Maxx*150 is the heart and sole of this mighty planter.

Manufactured from 150mm x 150mm x 9mm (Grade 450) RHS, the toolbar is braced and strengthened for durability and reliability.

The 3 row design and tine layout allows excellent trash flow through the machine and is 'spacious' so you can work in and around it quite easily to change implements and make adjustments to points and tines.

The generous obstruction-free, under-frame clearance allows operators to work on adjustments to tines etc. The clear underframe also assists trash flow. The high clearance is also ideal when the machine is being transported.



Tines

The Para-Maxx* 150 Series Parallelogram is fitted with tines manufactured from 75mm x 25mm high carbon spring steel. The leading edge is rounded to assist in reducing soil disturbance.

It is an ideal tool for primary working and weed control and a variety of attachments can be fitted from knife points to sweeps, depending on the application. There are three optional tine configurations, spear point, knife point and 51 degree double bolt hole shank for conventional tools such as sweeps.

Gason's also offer a Double Disc Opener which is fitted with coulters, sowing boot and mud scrapers. This unit is ideal for precision planting.

The Double Disc Opener is coupled with Double Vee 15" Press Wheels. (A photograph of the Double Disc Opener and Double Vee Press Wheels can be found on Page 8.)

The break-out pressure on the Para-Maxx* 150 can be set to a range from 160kg (350lbf) to 500kg (1,100lbf).

Adjusting the depth of the tine is simple. The tine holder and the tine have a number of holes along their length and by moving the location pin, adjustments can be made in minutes. Simply raise the toolbar using the Para-Maxx* hydraulics and make the adjustments by moving the adjusting pin and keeper to the desired depth.



Coulter

The Gason Coulter fitted to the 150 Series Para-Maxx* has proven itself in all soil types and in crops of every description from wheat stubble to corn stalk to fallow.

The Gason Coulter consists of a large 450mm (18") boron steel disc which has 2 rubberised steel gauge wheels fitted either side.

When the couler is properly adjusted the rubberised steel gauge wheels 'holds' the trash to the ground and the steel disc cuts a 'track'

through trash and/or stubble allowing the following tine an easier passage. Coulter pressure can be adjusted from the tractor seat, on the run.

The Coulter provides tine depth control to maintain a constant sowing or working depth.

Adjusting the couler is easy - reduce the pressure if the couler starts to 'bulldoze'; increase pressure if the couler skips. Ideally, the rubber wheel on the couler should 'just make contact' with the ground.



"It's the quality of the build that impressed me. It's quality through and through. We couldn't be happier with the results we are getting with our Para-Maxx".

Neil Unger and Tim, Parkes NSW

Press Wheels

Press wheels can help to create excellent soil-to-seed contact which can improve germination.

The Gason Para-Maxx* 150 Series is fitted with 450mm (18") Single press wheels.

When a twin disc opener is used, Twin 380mm(15") press wheels or single press wheels can be fitted.

Downward press wheel pressure can be simply adjusted using a spanner.

There are a range of wheel profiles available to suit your crop and application.

Wheels

The Para-Maxx* 150 Series is mounted on large, high flotation wheels (400 x 60 x 22.5) with 8 on the 12m model and 16 on the 18m model. Front wheels are caster mounted; rear are in a fixed position allowing tight turns and minimising sideways wheel drag.

Wheels are outboard mounted so they do not interfere with implements such as press wheels, coulters or tines. The machine remains level throughout its lift range by using the same geometry front & rear. When in the transport position wheels are 'over centre' so they are inboard of the centre frame.



Gauges



Hydraulics

The Para-Maxx* 150 Series has a dual hydraulic system control for the Coulter and the Tine. It also has a separate circuit to control the frame depth as well as another circuit to fold the machine.

The separate coulters and tine pressure circuits incorporate a 'single point of management' in the tractor cabin to independently adjust hydraulic pressure for the coulters and tines to match changing soil types and/or conditions.

Tine pressures can be adjusted in the range 160kg to 500kg (350lbf to 1,100lbf).

Pressures on the coulters can be adjusted to suit working conditions.

By finely adjusting the coulters and tine pressures fuel savings may be obtained. (It is noted fuel usage is also influenced by many other factors including tractor engine's efficiency, soil type, moisture and so on.)



Folding

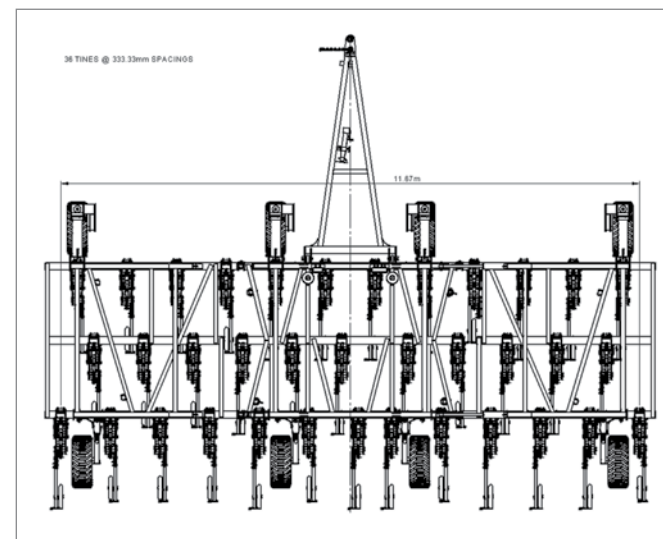
The Para-Maxx 150* folds easily for transportation using the tractor hydraulics.

GASON 150 SERIES SPECIFICATIONS

Single Fold Model 12m & Double Fold Model 18m		
	Size	
Dimensions - Metres & (Feet)	12m (39.4ft)	18m (59ft)
Overall Length (Tractor hitch to rear wheels)	9.8m (32)	11.2 (36.7)
Frame Depth (Front to rear)	3.0m (9.8)	3.0 (9.8)
Overall transport width (1)	6.0m (19.7)	8.0 (26) for 333mm & 375mm 7.7 (25) for 400mm
Overall transport height (2)	5.1 (16.7)	5.0 (16.4) for 333 & 375 5.5 (18) for 400
Overall Mass (approx kg) (3)	16000	24000
Number of Row Units		
333mm spacing	36	54
375mm	32	49 (5)
400mm	30	45
500mm	24	N/A
Road Clearance	280mm (11")	
Max Recommended Working Depth	25mm (10")	
No of Tool Bar Rows	3	
Tool Bar Spacing (centre to centre)	1.5m	
Centre Frame Width	Narrow - 12m (hinge to hinge) - 4.4m Wide 18m (hinge to hinge) 6.0m	
Jack	3 tonne capacity	
Frame Section of Toolbar	150 x 150 x 9.0 RHS Grade 450	
Drawbar Section	150 x 100 x 9.0 RHS Grade 450	
Breakout Force (4)	160kg to 500kg (350lbf to 1,100 lbf)	
Underframe Clearance	Floating Parallelogram 305mm Float. 755mm to 465mm to bottom of drum coulters	

(1) Overall width based on wings folded and tines fully extended. This width can be reduced by 1.2m overall upon removal of some inner wing shanks, if necessary. If Para-Maxx row units fitted can be lifted to reduce width. (2) Overall height based on wings folded and tines fully extended. This height can be reduced by removal of outermost shanks fitted to the wings. Para-Maxx row units can be pinned up to reduce height. (3) Mass will depend on number of row units fitted. (4) Breakout at approximately 100mm depth of cut. (5) Not true 18m pass to pass

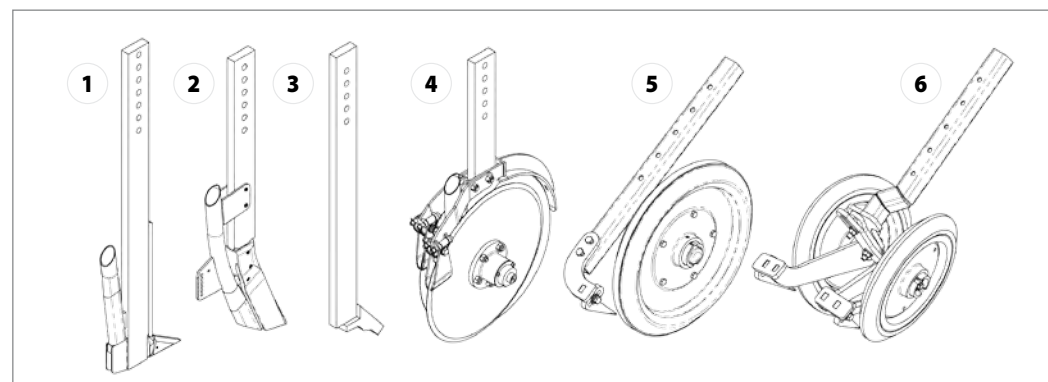
Tine spacings can be quickly and easily changed on the Para-Maxx* 150 Series. To change from say, 333mm to 666mm is easy using the tractor hydraulics. Park the Para-Maxx* on hard surface, lower the frame with the tractor hydraulics so all the planter units are in the sowing position and hydraulics are 'hard down'. Then you lock out the individual units while they are in the up position using the Gason 'Lock Out Pin'. When the Para-Maxx* is lifted only the working units will remain in ground contact and the others will remain locked in the 'Up' position, out of the way (Skip-row distribution kit required).



Options available for the Para-Maxx* 150 Series

Tine options (Numbered drawings shown below) Press Wheels Options:

1. Male adaptor Spearpoint (incl. point and s/boot)
 2. Gason Knifepoint (incl. point and s/boot)
 3. Shank 51 degrees (NOT incl. point and s/boot)
 4. Double Disc Opener (incl. s/boot & mudscraper)
 5. Single 18". Available with the following tyres/profiles - 80mm Wedge Solid, 80mm Wedge Semi-Solid, 100mm Round Solid., 100mm Flat Solid.
 6. Double Vee 2 x 15" 55mm wedge solid tyres
- Mudscrapers and Sowing Boot Kits are also available.



GASON 100 SERIES PLANTER AND TOOLBAR

The Gason 100 Series Planter and Toolbar was introduced onto the Australian market in 2012 following in the footsteps of the Gason Para-Maxx* 150 Series.

The 100 Series was manufactured using the proven principles to the Para-Maxx*150 Series but with some subtle differences.

Now you can choose the Gason 100 Series equipped with the tools you require to suit

your country, crop and conditions.

The Gason 100 Series come in three configurations:

- **Para-Maxx* Parallelogram Row Unit assembly**
- **Hydra-Maxx Hydraulic Tine assembly**
- **Scari-Maxx Spring Tine assembly**

Each model is suitable to a particular application, country or crop.

Tine assemblies can be changed to adapt the machine for a variety of uses and crops to suit various conditions as all use a common frame assembly. With this adaptability, your Gason 100 Series could become the most used piece of farming equipment on your farm. It can be used for a variety of tasks from pasture renovation, primary working country through to conventional cropping and planting, direct drill, minimum-till and no-till applications.



Frame

The frame of the 100 Series is the heart and sole of this Planter and Toolbar and is common to all models - Para-Maxx*, Hydra-Max and Scari-Maxx.

The 3 row frame (or versatile platform) is constructed from 100mm x 100mm (4" x 4") x 9mm SHS steel which is cross braced and strengthened.

The 100 Series comes in Four working widths - 9m (30ft) 12m (40ft), 15m (50ft) and 18m (60ft).

The design incorporates an efficient tine layout which gives excellent trash flow through the machine.

The engineered strength of the frame ensures parallel working and equal working depth across the entire platform.

The frame is spacious allowing easy access to tools and attachments.

Changing tools is simple and easy. Two men could change all tools of a 40ft machine in about 2 hours using air tools and the tractor hydraulics.

Under-frame clearance is excellent for both paddock work and when being transported.

It has been designed to be very adaptable and can be configured to incorporate ground working equipment to suit most farming conditions.



Wheels

The 100 Series frame for the 9m, 12m and 15m models is mounted on 8 equal sized wheels - 400/60-22.5 18 ply tyres - which give good flotation with minimum soil compaction.

The 18m model is equipped with 14 wheels - 12 of 400/60-22.5 18 ply tyres and 2 of 550x60 22.5 which are mounted on the rear of the centre section.

Front wheels are caster mounted and rear wheels are in a fixed position on all models. This configuration makes for easier turning and less side-skip in sharp corners.

All wheels are mounted outboard so they do not restrict tools such as press wheels and coulters.

Hydraulics

The hydraulic system on the 100 Series frame has two independent circuits - one for depth control and the other for wing fold.

If the machine is configured as a Hydra-Maxx an extra circuit is added including an accumulator for tine breakout.

If configured as a Para-Maxx, an extra two circuits are added - one for tine breakout and the second for coulters pressure control. Both include an accumulator.

Hitch

The heavy duty category 4, A-Frame floating hitch has been designed to enhance the machine's ground contour following capabilities. It is designed to carry a liquid tank if required. The hitch could support a liquid tank (cap 1,000lt) if required.



FRONT WHEEL ASSEMBLY



REAR WHEEL ASSEMBLY





PARA-MAXX* 100 SERIES

The Gason Para-Maxx* 100 Series is a versatile and adaptable machine which can be used for primary cultivation through to planting. The Gason Parallelogram Row Unit utilises a drum coulter for trash management and depth control, an adjustable shank for seed positioning and an independent press wheel unit for optimum seed-to-soil contact to assist with seed germination.

The frame structure is made from high quality steel and manufactured to the highest quality of workmanship.

The Gason Para-Maxx* 100 Series has proved itself to be a reliable and durable unit which is easy to use and maintain.

The 100 Series Para-Maxx* parallelogram row unit allows independent adjustment of pressure on both the tine and coulter while on the run. Independent pressure control means the operator can adjust the pressure on either the tine or coulter with the hydraulic controls from

the tractor seat. There is no more time wasting getting on and off the tractor armed with a spanner to manually adjust pressures on the coulter. It's simple, easy and fast so your planting time is reduced and you make better use of the moisture while it's available.

Tine

The 50mm x 25mm Para-Maxx* 100 Series tine is manufactured from 50mm x 25mm (2" x 1") high carbon spring steel. There are a number of tine options, see page 19 for details.

Changing the tine depth is easy. The tine holders and tines have a series of

adjustment holes to effectively vary the depth in 12mm increments. To adjust the depth of the tine simply raise the bar to the transport position using the tractor hydraulics. Then position the tine shank pin into the selected hole to achieve the desired planting depth.

The tines can be fitted with a wide variety of ground engaging tools from knife points to sweeps, depending on the application.

Tine break-out pressures can be varied between 140kg to 310kg (310lbf to 680lbf).

The Para-Maxx* 100 Series has the ability to 'moisture seek' to 175mm (approx 7"). The operator can increase/decrease the pressure on the tine as the moisture levels rises/falls through the planting. This can assist to achieve optimum seed germination. It is also more productive as sowing times are reduced as adjustments are made by the operator on the run.



Coulter

The Gason Coulter fitted to the Para-Maxx 100 Series Parallelogram has a couple of primary functions.

Firstly, it provides depth control in sowing and working. This is provided through the design of the parallelogram which maintains a constant pressure through the hydraulic ram onto the coulters wheel.

Secondly, the large diameter coulters wheel incorporates a boron steel wheel in the centre (acting as a 'knife') and two rubberised wheels which compresses or 'holds' trash onto the ground. The wheel rolls over the ground and the steel centre wheel cuts through the trash keeping soil disturbance to a minimum. The following tine passes through the soil easier following the 'track' or 'cut' of the coulters steel wheel groove. This both reduces trash build up on the tine and it minimises soil 'throw'. The coulters efficiently handles trash or stubble in all types of crop - wheat stubble to corn, sorghum or canola through to pasture and grass.

Coulter pressure can be adjusted from the tractor seat between 90kg to 500kg (200lbf to 1,100lbf), independent of the tine pressure.

Using the coulters is easy - lighten pressure if the coulters starts to 'bulldoze'; increase pressure if the coulters skips. Ideally the rubber wheel on the coulters should 'just make contact' with the ground.

Options available for the Para-Maxx 100 Series

Points: A selection of points are available. Consult your dealer for the full list. See drawings of points and tines on page 19.

Shanks: Spearpoint, Keech Female, 47 degree double bolt, Knifepoint.

Press Wheels: There are two types of press wheels configurations for the Para-Maxx* - single and double.

The 15" single is used in most instances. These feature variable length pivoting arm, and a range of tyre profiles. Also includes maintenance friendly Integral hub.

Double press wheels are available and are used in combination with a Double Disc Opener.

Optional profiles of Press Wheels are: Wedge Solid, Flat Solid, Wedge Semi-Pneumatic, Flat Semi-Pneumatic, Dome Semi-Pneumatic, Round Semi-Pneumatic and Wedge Semi-Pneumatic. Mud scrapers are also available

A complete list of sizes and profiles of Press Wheel options are on page 19.

Mudscrapers and Sowing Boot Kits are also available.





GASON HYDRA-MAXX 100 SERIES

Designed and manufactured in Australia to suit our conditions, the Gason 100 Series Hydra-Maxx has been thoroughly tested over many years on Australian farms and has proven to be reliable, dependable and tough in all types of soil conditions from rocky hillsides to flat deep self mulching soils.

It is an efficient machine which has many uses from primary cultivation to planting and when matched with a Gason air seeder makes the ideal sowing plant.

The Gason Hydra-Maxx will suit properties where the abilities of the Para-Maxx*, (which is fitted with a drum coultter), are not required, but an efficient, tough and reliable planter/toolbar is essential.

The Hydra-Maxx 100 Series frame has excellent clearance of 760mm and minimal obstructions below the toolbar resulting in exceptional trash flow which is a real feature of the Hydra-Maxx.

Tines

Hydra-Maxx 100 Series has hydraulically operated tines with a breakout force which can be set between 140kg to 310kg (310lbf -680lbf). The tine section is 50mm x 25mm manufactured from high carbon spring steel. It features a soft recoil and a maximum jump of 350mm.

Double chrome plating on cylinder rods with double seals and back up wiper for improved corrosion protection have been proven over many years of service. The solid ram significantly reduces flexing and therefore reduces any seal wear.

Adjusting the depth of the tine is simple. Lift the frame to the transport position using the tractor hydraulics. The tine and its holder have a number of holes along their length and by relocating the adjustment pin adjustments can be made in 12mm increments. Then securing with the keeper.

The Hydra-Maxx offer a number tine options to cater to a wide range of ground engaging tools. (Refer to page 19 for details) Tines can also be fitted with a sowing tube or boot which can be replaced when it wears. The Gason Hydra-Maxx can also accommodate mounted press wheels.



SCARI-MAXX 100 SERIES

The Gason Scari-Maxx 100 Series offer farmers a machine which is adaptable and is an economical farming plant.

The Scari-Maxx 100 Series utilises the same toolbar as the Hydra-Maxx and Para-Maxx* 100 Series manufactured from 100mm x 100mm x 9mm bar and is strengthened to deliver reliability.

Tines

Scari-Maxx 100 Series utilises standard spring release tines with breakout force of 172kg to 190kg (380lbf to 420lbf).

Spring tines are fitted with polyurethane shock pads to absorb recoil loads, reducing metal fatigue.

Tine assembly towers are mounted above the toolbar and deliver excellent trash clearance.

The unique Gason Scari-Maxx tine release geometry maintains a more constant sowing depth because of the relationship between the

pivot point and ground tool. Tines tend to move horizontally rearwards before rising.

Tine size is 50mm x 25mm (2" x 1") manufactured from high carbon spring steel.

Adjusting the depth of the tine is simple. The tine and its holder has a number of holes and by moving the location pin adjustments can be made in minutes by using the tractor hydraulics to lift the frame to the transport position.

The Scari-Maxx offer a number of tine options to cater to a wide range of ground engaging tools. The Gason Scari-Maxx can also accommodate mounted press wheels

Press Wheel Options available for the Hydra-Maxx & Scari-Maxx 100 Series

Press Wheel options: 55mm Wedge Solid, 55mm Flat Solid, 70mm Wedge Solid, 80mm Wedge Solid, 90mm Round Solid., 55mm Wedge Semi-Pneumatic, 55mm Flat Semi-Pneumatic, 55mm Dome Semi-Pneumatic, 75 mm Round Semi-Pneumatic, 80mm Wedge Semi-Pneumatic, 100mm Flat Semi-Pneumatic, 110mm Wedge Semi-Pneumatic.

Mudscrapers are available.

Press Wheel Sowing Kits are available for Hydra-Maxx and Scari-Maxx models.



Gason 100 Series Planter and Toolbar Specifications

DIMENSIONS (All dimensions in Metric and Imperial)	9m (30ft)	12m (40ft)	15m (50ft)	18m (60ft)
Overall Length (Tractor hitch to rear wheels)	9.8m (32')	9.8m (32')	11.2m (36.7')	11.6m (59')
Frame Depth (Front to rear)	3.0m (9.8')	3.0m (9.8')	3.0m (9.8')	3.0m (9.8')
Overall transport width ①	6.0m (19.7')	6.0m (19.7')	7.5m (24.6')	6.5m (21.3')
Overall transport height ②	4.0m (13.1)	5.1m (16.7')	5.7m (18.7')	5.3m (17.4')
Overall weight	Refer to layouts	Refer to layouts	Refer to layouts	Refer to layouts

Number of Shanks	250mm spacings	36	48	N/A	N/A
	300mm spacings	30	40	50	60
	333mm spacings	27	36	N/A	54
	375mm spacings	24	32	39 ⑤	48
	400mm spacings	N/A	30	37 ⑤	N/A
	500mm spacings	18	24	N/A	N/A

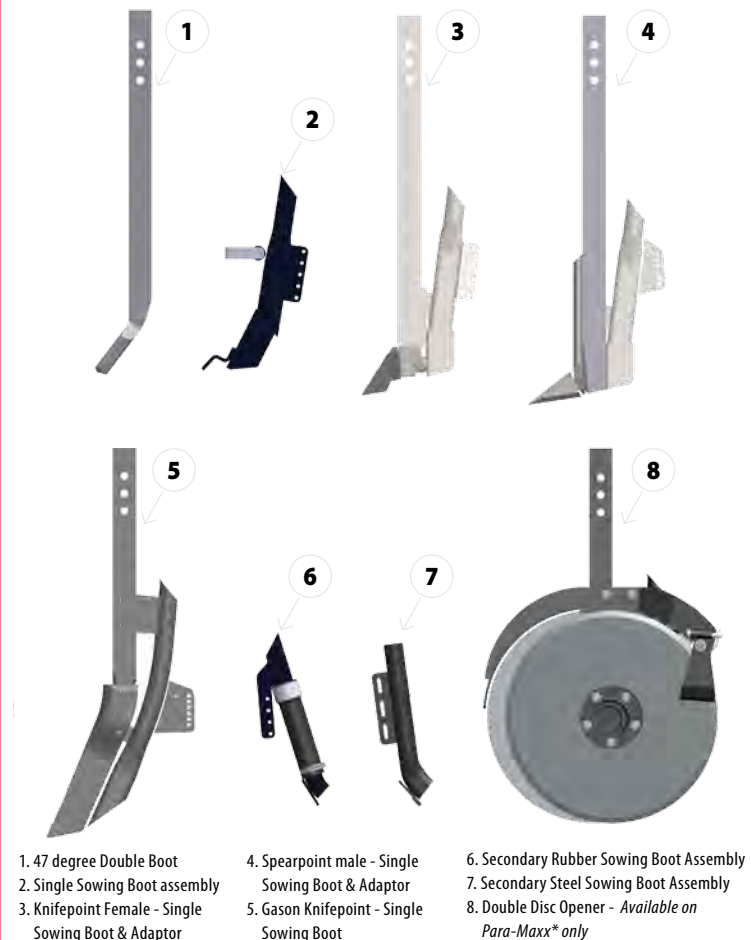
Road Clearance		280mm (11")
Max Recommended Working Depth		230mm (9")
No of Toolbar Rows		3
Toolbar Spacing (Centre to centre)		1.5m
Centre Frame Width		Narrow - 9m & 12m (hinge to hinge) - 4.2m
		Wide - 15m (hinge to hinge) - 6.0m
		18m (hinge to hinge) - 4.6m
Jack		2 tonne capacity
Frame Section	Toolbars	100 x 100 x 9.0mm RHS Grade 450 and 100 x 100 x 6.0mm RHS Grade 450
Drawbar Section		150 x 100 x 6.0mm RHS Grade 450
Para-Maxx*	Breakout Force ⑥	140kg to 310kg (310lbf to 680lbf)
	Underframe Clearance	Floating Parallelograms 290mm Float. 755mm to 465mm to bottom of drum coupler
Hydra-Maxx	Breakout Force ⑦ Hydraulic	140kg to 310kg (310lbf to 680lbf)
	Underframe Clearance	760mm to 660mm (30" to 26") in 12.5mm (1/2") increments
	Tine Jump ④	350mm (13.8")
Scari-Maxx	Breakout Force ③	190kg to 172kg (420lbf to 380lbf)
	Underframe Clearance	760mm to 660mm (30" to 26") in 12.5mm (1/2") increments
	Tine Jump ④	350mm (13.8")

(1) Overall width based on wings folded and tines fully extended. On Scari-Maxx and Hydra-Maxx models this width can be reduced by up to 1.2m overall by removal of the lower inner wing shanks. On Para-Maxx, row units can be pinned up to reduce width by up to 580mm.
 (2) Overall height based on wings folded and tines extended.

This height can be reduced by removal of outermost shanks fitted to the wings on some machines. Para-Maxx row units can be lifted allowing machine's hydraulics to be dropped lower to reduce height.
 (3) Scari-Maxx break out force is taken at the spearpoint tip @ 660mm x 760mm underframe clearances, respectively.

(4) Based on Spearpoint @ 760mm underframe clearance.
 (5) Not true 15m Pass to Pass.
 (6) Tine breakout at approximately 100mm depth of cut over a pressure range of 1200 to 2700 psi respectively.
 (7) Hydra-Maxx breakout on 710mm underframe clearance over a pressure range of 590 to 1300 psi respectively.

Tine options



Press Wheel Options

55mm Wedge Solid, 55mm Flat Solid, 70mm Wedge Solid, 80mm Wedge Solid, 90mm Round Solid, 55mm Wedge Semi-Pneumatic, 55mm Flat Semi-Pneumatic, 55mm Dome Semi-Pneumatic, 75 mm Round Semi-Pneumatic, 80mm Wedge Semi-Pneumatic, 100mm Flat Semi-Pneumatic, 110mm Wedge Semi-Pneumatic.

Mudscrapers and Sowing Boot Kits are also available.

*If you're seriously into cropping
and want a machine that will
serve you well for many years to
come, look to Gason.*

*If you think we're proudly
Australian ...
you'd be right!*



For more information, see your nearest Gason Dealer or contact

A.F. GASON PTY. LTD.

Blake Street Ararat, Victoria 3377 Australia

Tel. 03 5352 2151 Fax. 03 5352 4695 Email. sales@gason.com.au

www.gason.com.au

A.F. Gason Pty Ltd reserves the right to change specifications without notice. All specifications are correct at 4/12/14.

* Patent Pending

A.F. Gason Pty Ltd ABN 31004667556